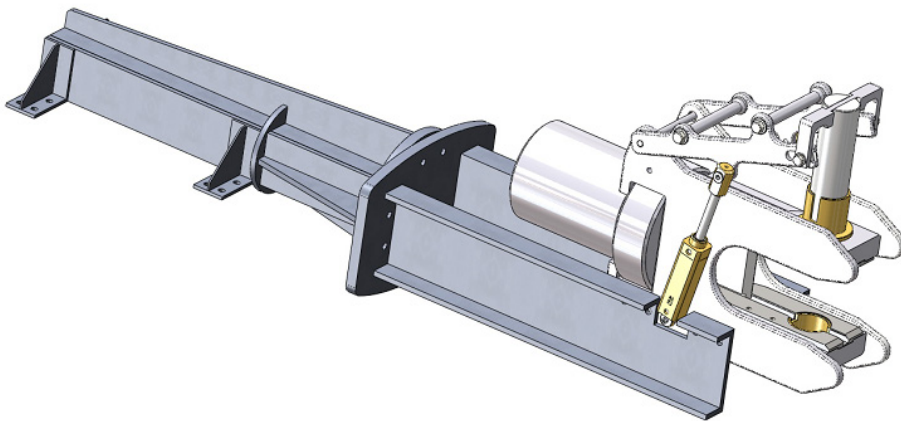


115mm (4") Wire Rope Cutter Cutters & Grinders.



DESCRIPTION

The RCV models are heavy duty wire rope cutters designed for use in severe working conditions such as offshore. The RCV cutters feature stainless steel or lightweight aluminium construction and have been specifically designed with ROV applications in mind. The RCV range of cutters feature hydraulically powered anvil pins for remote actuation.

Note the tool needs to be used in conjunction with Intensifier Panel A036-081-001.

FEATURES

- Cuts up to 115mm 1770N/mm² Wire
- Supplied with ROV mount bracket
- Hydraulic Retract
- Supplied in offshore suitable transit case.

115mm (4") Wire Rope Cutter Cutters & Grinders.

SPECIFICATIONS

Operating Pressure	690Bar (10,000PSI)
Max Wire Diameter	115mm
Max wire strength	1,770N/mm ²
Weight in air	125kg

WHAT'S IN THE BOX

RCV115 Cutter
ROV Mounting Bracket
Supply and return hoses.
Operations & Maintenance Manual.

PART NUMBERS & OPTIONS

A036-026-190	115mm (4") Wire Rope Cutter
A036-026-190/spares	Basic Spares Kit
A036-081-001	Intensifier Panel.