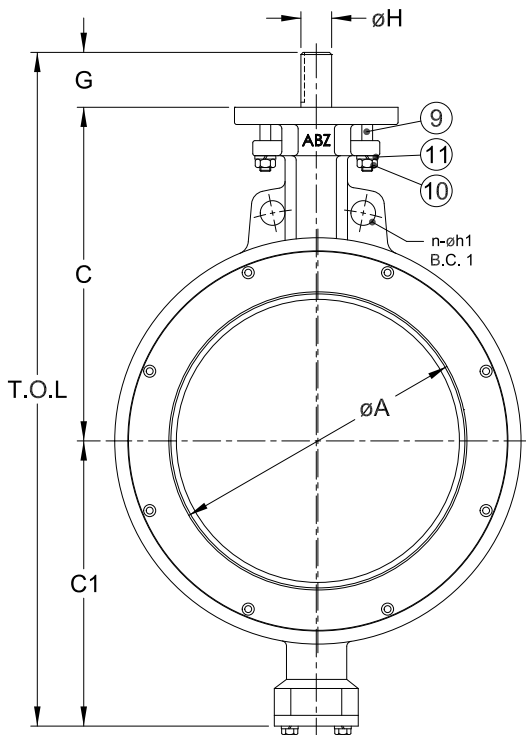
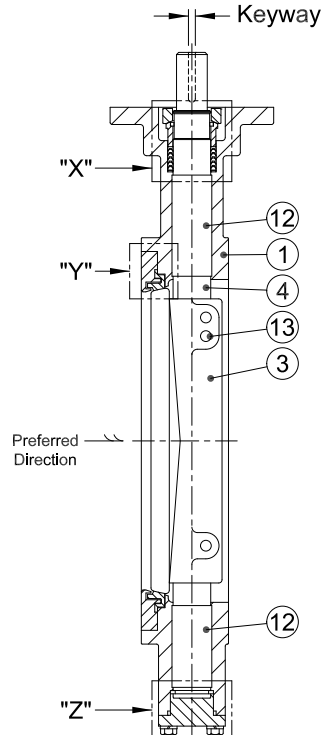


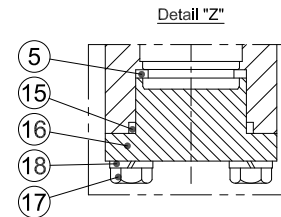
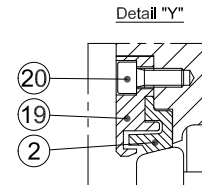
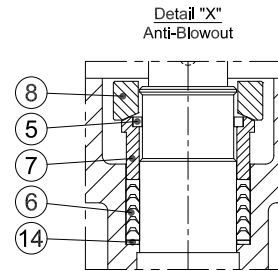
Top View



Flow View



Section View



Parts Schedule

Item No.	Name	Material	No. Req'd
1	Body	-	1
2	Seat Ring	-	1
3	Disc	-	1
4	Stem	-	1
5	Retainer Ring	-	2
6	Packing	-	1 Set
7	Packing Gland	-	1
8	Gland Flange	-	1
9	Gland Bolt	-	2
10	Nut	-	2
11	Spring Washer	-	2
12	Bush Bearing	-	2
13	Disc Pin	-	1 Set
14	Packing Retainer	-	1
15	Cap Packing	-	1
16	Cap	-	1
17	Cap Bolt	-	1 Set
18	Spring Washer	-	1 Set
19	Seat Retainer	-	1
20	Retainer Bolt	-	1 Set

Notes:

- Design : ANSI B16.34 & API 609
- Gasket Contact Surface : Finish 125-250 AARH
- Face to Face Dimension : API 609 Category B
- Flange Connection : ANSI B16.5 Class 150
- Installation Direction: Bi-Directional / Not For Dead End Service
- Rated for full vacuum in non-preferred direction.

Test Pressure(Psig)	Hydraulic				Air	
	API 598	Shell	450	Seat	325	Seat



Valve Solutions
ABZ Valves & Controls



Title:			Scale		
ABZolute Double Offset Butterfly Valve			N/A		
Series 401 - Class 150 - Wafer Type			Projection		
DWG No.			Unit		
14"-24" 401-Bare Stem			inch		
Date	Drawn	Checked	Dimensions are subject to change without notice.		Revision
09-22-11	BC	Tp			0

Valve Dimensions

Valve Size		øA	C	C1	D	øF	G	øH	Keyway	T.O.L	Weight	Mounting Base			Flange Dimension		
Inch	MM											B.C. 2	n	øh2	B.C. 1	n	øh1
14"	350	12.48	13.19	11.81	3.62	5.98	2.24	1.374	.31 x .31	27.24	130 lbs	5.00	4	.55	18.75	2	1.125
16"	400	14.13	15.47	13.39	4.02	8.03	2.99	1.874	.50 x .50	31.85	196 lbs	6.50	4	.83	21.25	2	1.125
18"	450	16.38	16.81	14.76	4.49	8.03	2.99	1.874	.50 x .50	34.56	270 lbs	6.50	4	.83	22.75	4	1 1/8"x8un
20"	500	18.39	17.72	15.75	5.00	8.03	2.99	2.126	.50 x .50	36.46	350 lbs	6.50	4	.83	25.00	4	1 1/8"x8un
24"	600	21.57	20.87	18.70	6.06	11.42	4.02	2.555	.75 x .50	43.59	564 lbs	10.00	8	.75	29.50	4	1 1/4"x8un