



Series 20BP & BS

2-Piece Bronze Ball Valve

FEATURES

- Cast Heavy Wall Bronze Bodies
- Full Port 1/4" - 1" Sizes
- 600 WOG Pressure Rating - All Sizes
- 150 PSIG Saturated Steam Rating
- 316 Stainless Steel Ball & Stem Available
- Locking Handles Available in Carbon and Stainless Steel
- 20-BS includes 316SS Ball & Stem and 304SS Handle & Nut
- NPT or Solder Ends Available

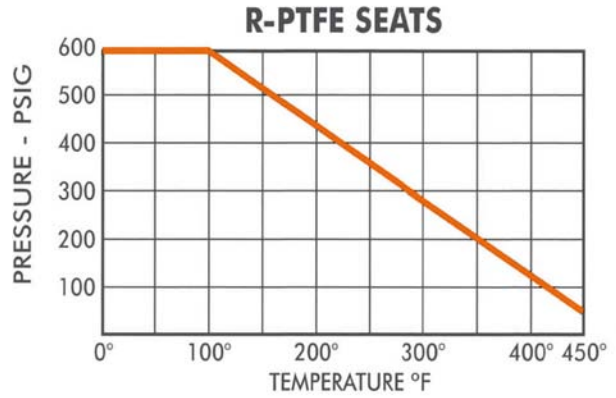
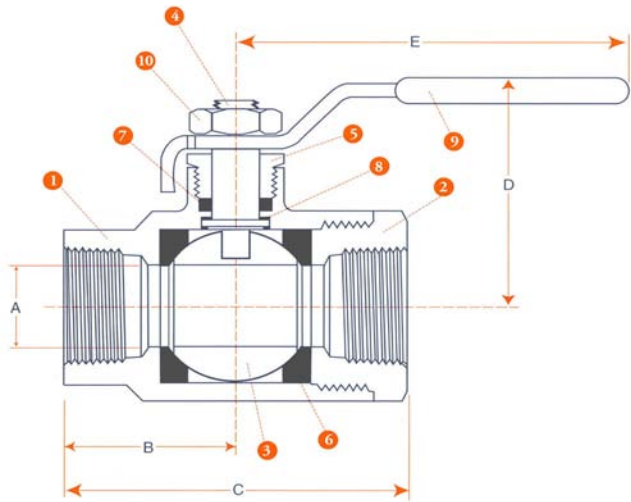
Note A: Always solder valve while in fully open position and apply wet rag to center of body during soldering.

RATINGS

600 PSIG @100F Water, Oil, Gas
150 PSIG SAT. STEAM (NPT ONLY)

MATERIALS OF CONSTRUCTION

PART	DESCRIPTION	20-BP	20-BS
1	Body	Bronze B584 C84400	Bronze B584 C84400
2	Tailpiece	Brass B124 C37700	Brass B124 C37700
3	Ball	Brass Chrome Plated	ASTM A276 Gr. 316SS
4	Stem	Brass B16 C36000	ASTM A276 Gr. 316SS
5	Packing Nut	Brass B16 C36000	Brass B16 C36000
6	Seats (2)	R-PTFE	R-PTFE
7	Packing	R-PTFE	R-PTFE
8	Thrust Washer	R-PTFE	R-PTFE
9	Handle Assy	Carbon Steel - Zinc Plate	304 Stainless Steel
10	Handle Nut	Carbon Steel - Zinc Plate	304 Stainless Steel



DIMENSIONS, WEIGHTS, CV FACTORS & MAXIMUM OPERATING TORQUE

SIZE	A	B	C NPT	C SOLDER	D	E	WEIGHT LBS.	CV	MAX. TORQUE
1/4-3/8"	.38	1.0	2.0	2.0	1.9	4.0	.48	9	60 IN-LB
1/2"	.50	1.2	2.5	2.3	1.9	4.0	.68	16	70 IN-LB
3/4"	.75	1.4	2.9	3.0	2.2	4.8	1.96	60	100 IN-LB
1"	1.0	1.7	3.4	3.7	2.5	4.8	1.96	60	160 IN-LB
1-1/4"	1.0	2.0	4.0	3.8	2.7	4.8	2.33	52	200 IN-LB
1-1/2"	1.25	2.1	4.3	4.3	3.1	6.9	3.37	80	250 IN-LB
2"	1.5	2.3	4.6	5.2	3.3	6.9	5.2	115	370 IN-LB
2-1/2"	2.0	2.9	5.9	6.0	3.6	6.9	8.5	265	410 IN-LB
3"	2.5	3.5	7.1	7.4	4.5	7.9	14.6	420	460 IN-LB
4"	3.0	3.6	7.1		4.8	7.9	15.6	500	520 IN-LB

Numbering System ... How to Order

<u>20</u>	<u>F</u>	<u>B</u>	<u>P</u>	<u>R</u>	<u>R</u>	<u>LH</u>	<u>TT</u>	<u>050</u>
SERIES	PORT SIZE	BODY MATERIAL	BALL/STEM MATERIAL	SEAT MATERIAL	SEAL MATERIAL	HANDLE TYPE	ENDS	SIZE
20 = 2 Piece	F = Full (1/4"-1") R = Reduced (1-1/4"-2")	B = Bronze	P = Plated Brass S = 316 Stainless	R = R-PTFE Z = Steam Seats	R = R-PTFE	LH = CS Lever LL = CS Latch Lock SL = SS Latch Lock TH = Tee Handle CO = CS Oval LO = Locking Stainless Oval XH = Extended Handle BS = Balancing Stop Handle	TT = FNPT MT = MxF NPT CC = Solder Ends	025 = 1/4" 038 = 3/8" 050 = 1/2" 075 = 3/4" 100 = 1" 125 = 1-1/4" 150 = 1-1/2" 200 = 2" 250 = 2-1/2" 300 = 3" 400 = 4"