



## Series 20CC & CS

### 2-Piece Carbon Steel Ball Valve

#### FEATURES

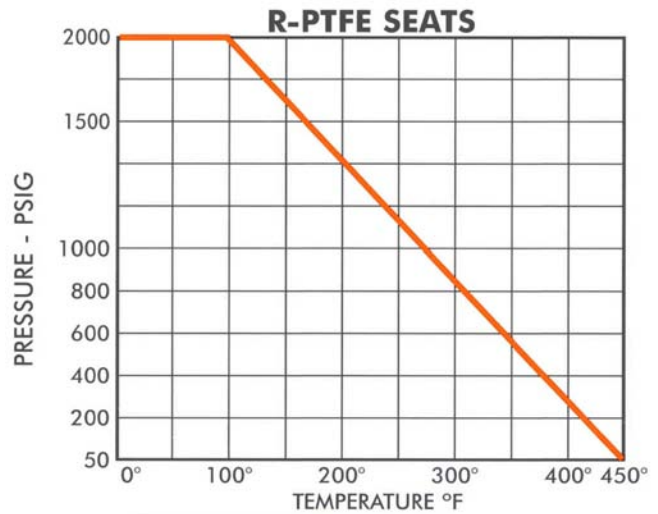
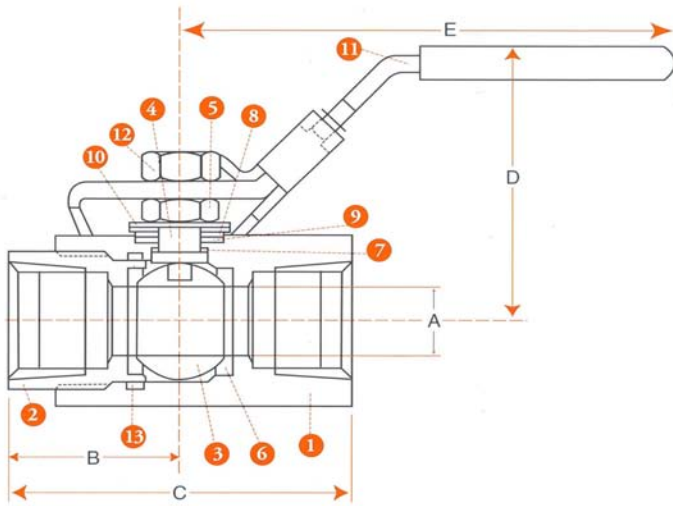
- AISI 1017 Carbon Steel Bodies and Tailpieces
- 2000 WOG Rating on All Sizes
- 150 PSIG Saturated Steam Rating
- All Models are NACE MR-01-75 Compliant
- 316 Stainless Steel Ball & Stem Available
- “Live Loaded” Stem Packing Design
- “Tamperproof” Locking Handles Available In Carbon and Stainless Steel
- Locking Oval Handles Available In Carbon and Stainless Steel
- Competitively Priced

#### RATINGS

2000 PSIG @100F Water, Oil, Gas  
All Sizes ... 150 PSIG Saturated Steam

#### MATERIALS OF CONSTRUCTION

PART	DESCRIPTION	STANDARD MATERIAL	OPTIONAL MATERIAL(S)
1	Body	AISI Gr. 1017	
2	Tailpiece	AISI Gr. 1017	
3	Ball	ASTM A276 Gr. 304SS	ASTM A276 Gr. 316SS
4	Stem	AISI 1045 Carbon Steel	ASTM A276 Gr. 316SS
5	Packing Nut	Carbon Steel-Plated	
6	Seats (2)	R-PTFE	
7	Packing	R-PTFE	
8	Washer	ASTM A276 Gr. 304SS	
9	Thrust Washer (2)	TFE	
10	Belleville Washer	Carbon Steel - HT	
11	Handle Assy	Carbon Steel-Plated	304 Stainless Steel
12	Handle Nut	Carbon Steel-Plated	304 Stainless Steel
13	Body Seal	R-PTFE	



**DIMENSIONS, WEIGHTS, CV FACTORS & MAXIMUM OPERATING TORQUE**

SIZE	A	B	C	D	E	WEIGHT LBS.	CV	MAX. TORQUE
1/4-3/8"	.40	1.0	2.0	1.7	4.2	.6	9	40 IN-LB
1/2"	.54	1.1	2.3	1.7	4.2	.75	16	75 IN-LB
3/4"	.68	1.4	2.8	2.1	5.9	1.6	27	120 IN-LB
1"	.88	1.6	3.2	2.3	5.9	2.4	42	150 IN-LB
1-1/4"	1.0	1.9	3.8	2.8	7.0	3.5	52	250 IN-LB
1-1/2"	1.25	2.3	4.6	3.0	7.3	5.4	80	300 IN-LB
2"	1.5	2.4	4.9	3.6	8.7	6.8	115	320 IN-LB

**Numbering System ... How to Order**

<u>20</u>	<u>R</u>	<u>C</u>	<u>C</u>	<u>R</u>	<u>R</u>	<u>LH</u>	<u>TT</u>	<u>100</u>
<b>SERIES</b>	<b>PORT SIZE</b>	<b>BODY MATERIAL</b>	<b>BALL/STEM MATERIAL</b>	<b>SEAT MATERIAL</b>	<b>SEAL MATERIAL</b>	<b>HANDLE TYPE</b>	<b>ENDS</b>	<b>SIZE</b>
20 = 2 Piece	F = Full (1/4"-1/2") R = Reduced (3/4"-2")	C = Carbon	C = Plated Carbon Steel S = 316 Stainless	R = R-PTFE	R = R-PTFE	LH = CS Lever LL = CS Latch Lock SH = Stainless Lever SL = Stainless Latch Lock SO = Stainless Oval	TT = FNPT MT = MxF NPT	025 = 1/4" 038 = 3/8" 050 = 1/2" 075 = 3/4" 100 = 1" 125 = 1-1/4" 150 = 1-1/2" 200 = 2"