



## Series 22BP & BS

### 2-Piece Bronze Ball Valve

#### FEATURES

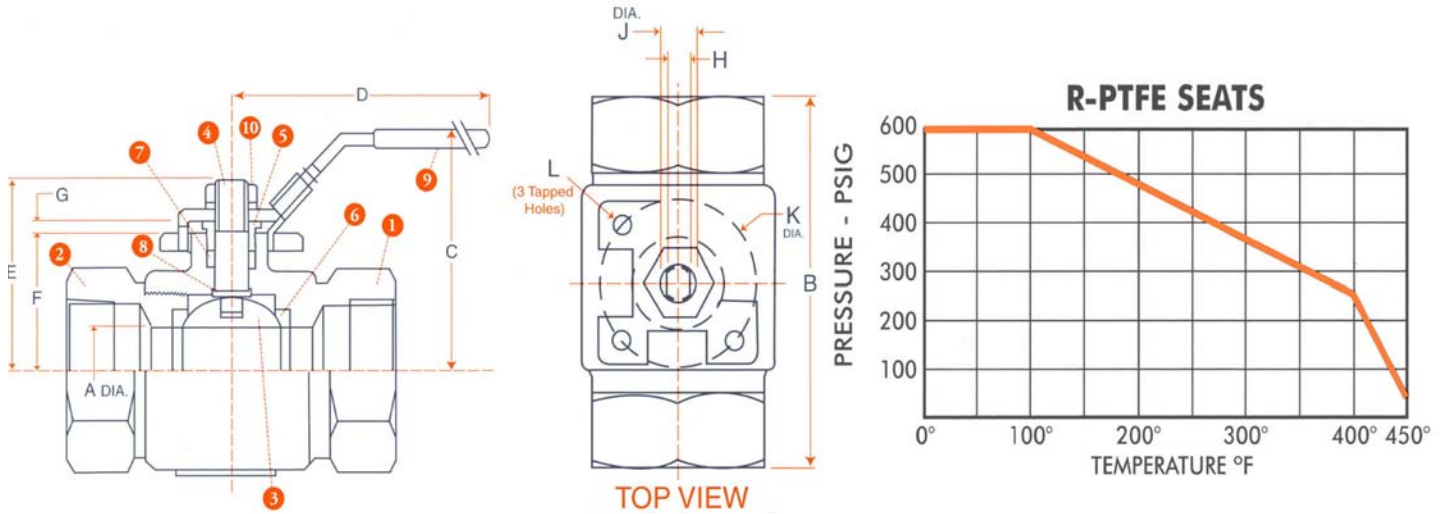
- Cast Heavy Wall Bronze Bodies
- Full Port 1/4" - 1" Sizes
- 600 WOG Pressure Rating - All Sizes
- 250 PSIG Saturated Steam Rating
- 316 Stainless Steel Ball & Stem Available
- Locking Handles Available in Carbon and Stainless Steel
- 22-BS includes 316SS Ball & Stem and 304SS Handle & Nut
- ISO 5211 Tapped Mounting Pads

#### RATINGS

600 PSIG @100F Water, Oil, Gas  
250 PSIG SAT. STEAM

#### MATERIALS OF CONSTRUCTION

| PART | DESCRIPTION   | 22-BP                     | 22-BS               |
|------|---------------|---------------------------|---------------------|
| 1    | Body          | Bronze B584 C84400        | Bronze B584 C84400  |
| 2    | Tailpiece     | Brass B124 C37700         | Brass B124 C37700   |
| 3    | Ball          | Brass Chrome Plated       | ASTM A276 Gr. 316SS |
| 4    | Stem          | Brass B16 C36000          | ASTM A276 Gr. 316SS |
| 5    | Packing Nut   | Brass B16 C36000          | Brass B16 C36000    |
| 6    | Seats (2)     | TFM                       | TFM                 |
| 7    | Packing       | Graphite                  | Graphite            |
| 8    | Thrust Washer | R-PTFE                    | R-PTFE              |
| 9    | Handle Assy   | Carbon Steel - Zinc Plate | 304 Stainless Steel |
| 10   | Handle Nut    | Carbon Steel - Zinc Plate | 304 Stainless Steel |



**DIMENSIONS, WEIGHTS, CV FACTORS & MAXIMUM OPERATING TORQUE**

| SIZE     | A    | B   | C   | D   | E   | F   | G   | H   | J   | K DIA | L (3 TAPPED HOLES) | ISO PATTERN | WEIGHT LBS. | CV  | MAX. TORQUE |
|----------|------|-----|-----|-----|-----|-----|-----|-----|-----|-------|--------------------|-------------|-------------|-----|-------------|
| 1/4-3/8" | .38  | 2.0 | 1.9 | 4.0 | 1.3 | .7  | .35 | .20 | .31 | 1.42  | 1/4"-20UNC         | F03         | .7          | 9   | 60 IN-LB    |
| 1/2"     | .50  | 2.4 | 1.9 | 4.0 | 1.6 | .8  | .35 | .20 | .31 | 1.42  | 1/4"-20UNC         | F03         | .9          | 16  | 70 IN-LB    |
| 3/4"     | .75  | 2.9 | 2.2 | 4.8 | 2.1 | 1.0 | .43 | .28 | .44 | 1.65  | 1/4"-20UNC         | F04         | 2.2         | 35  | 100 IN-LB   |
| 1"       | 1.0  | 3.4 | 2.5 | 4.8 | 2.2 | 1.3 | .40 | .28 | .44 | 1.65  | 1/4"-20UNC         | F04         | 2.4         | 60  | 160 IN-LB   |
| 1-1/4"   | 1.0  | 4.0 | 2.7 | 4.8 | 2.6 | 1.4 | .45 | .35 | .56 | 1.97  | 1/4"-20UNC         | F05         | 2.6         | 52  | 200 IN-LB   |
| 1-1/2"   | 1.25 | 4.3 | 3.1 | 6.9 | 2.8 | 1.7 | .45 | .35 | .56 | 1.97  | 1/4"-20UNC         | F05         | 3.6         | 80  | 250 IN-LB   |
| 2"       | 1.5  | 4.6 | 3.3 | 6.9 | 3.1 | 1.9 | .47 | .35 | .56 | 1.97  | 1/4"-20UNC         | F05         | 5.6         | 115 | 370 IN-LB   |
| 2-1/2"   | 2.0  | 5.9 | 3.6 | 6.9 | 3.3 | 2.2 | .47 | .35 | .56 | 1.97  | 1/4"-20UNC         | F05         | 9.0         | 265 | 440 IN-LB   |
| 3"       | 2.5  | 7.1 | 4.5 | 7.9 | 4.1 | 2.8 | .49 | .47 | .75 | 2.76  | 5/16"-20UNC        | F07         | 16.0        | 420 | 500 IN-LB   |
| 4"       | 3.0  | 7.5 | 4.8 | 7.9 | 4.4 | 3.1 | .49 | .47 | .75 | 2.76  | 5/16"-20UNC        | F07         | 17.0        | 500 | 580 IN-LB   |

**Numbering System ... How to Order**

|               |   |                      |   |   |   |   |                           |  |
|---------------|---|----------------------|---|---|---|---|---------------------------|--|
| <b>22</b>     | <b>F</b>  | <b>B</b>             | <b>P</b>                                    | <b>R</b>  | <b>R</b>  | <b>LH</b>   | <b>TT</b>                 | <b>050</b>   |
| <b>SERIES</b> | <b>PORT SIZE</b>                                    | <b>BODY MATERIAL</b> | <b>BALL/STEM MATERIAL</b>                   | <b>SEAT MATERIAL</b>                                  | <b>SEAL MATERIAL</b>                                      | <b>HANDLE TYPE</b>  | <b>ENDS</b>               | <b>SIZE</b>  |
| 22 = 2 Piece  | F = Full<br>(1/4"-1")<br>R = Reduced<br>(1-1/4"-2") | B = Bronze           | P = Plated<br>Brass<br>S = 316<br>Stainless | R = TFM<br>(R-PTFE)<br>V = Virgin<br>PTFE<br>U = UHMW | G = Graphite<br>R = R-PTFE<br>V = Virgin PTFE<br>U = UHMW | LH = CS Lever<br>LL = CS Latch Lock<br>SL = Stainless Latch<br>Lock<br>TH = Tee Handle<br>CO = CS Oval<br>LO = Locking Stainless<br>Oval<br>XH = Extended Handle<br>BS = Balancing Stop<br>Handle | TT = FNPT<br>MT = MxF NPT | 025 = 1/4"<br>038 = 3/8"<br>050 = 1/2"<br>075 = 3/4"<br>100 = 1"<br>125 = 1-1/4"<br>150 = 1-1/2"<br>200 = 2"<br>250 = 2-1/2"<br>300 = 3"<br>400 = 4" |

FORUM VALVE SOLUTIONS - QUADRANT  
 108 Bluffwood Drive. Broussard, LA 70518  
 337.837.8650 [t] 337.837.8651 [f]  
 f-e-t.com

