



Series 23-CS

2-Piece Carbon Steel Ball Valve

FEATURES

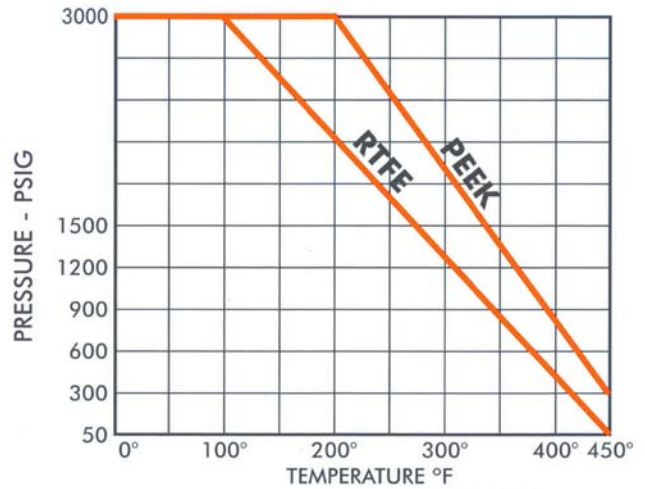
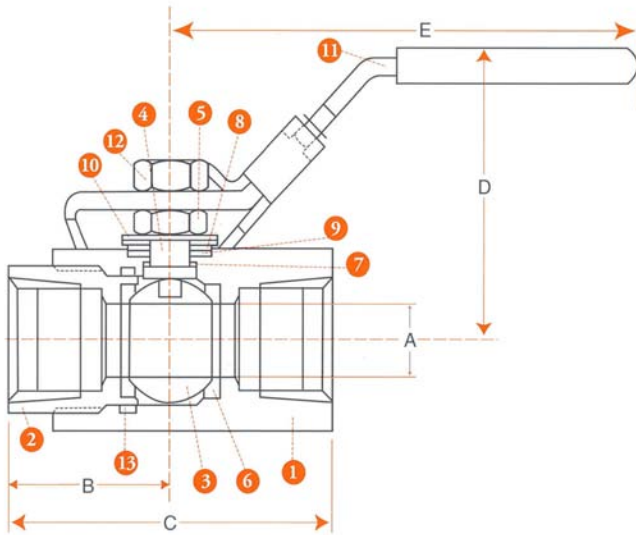
- AISI 1017 Carbon Steel Bodies and Tailpieces
- 3000 WOG Rating on All Sizes, 1/4" to 1"
- 150 PSIG Saturated Steam Rating
- All Models are NACE MR-01-75 Compliant
- 316 Stainless Steel Ball & Stem Standard
- "Live Loaded" Stem Packing Design
- "Tamperproof" Locking Handles Available In Carbon and Stainless Steel
- Competitively Priced
- PEEK Seats Available

RATINGS

3000 PSIG @ 100F Water, Oil, Gas
All Sizes ... 150 PSIG Saturated Steam

MATERIALS OF CONSTRUCTION

PART	DESCRIPTION	STANDARD MATERIAL	OPTIONAL MATERIAL(S)
1	Body	AISI Gr. 1017	
2	Tailpiece	AISI Gr. 1017	
3	Ball	ASTM A276 Gr. 316SS	
4	Stem	ASTM A276 Gr. 316SS	
5	Packing Nut	Carbon Steel-Plated	
6	Seats (2)	HOSTAFILON	PEEK
7	Packing	R-PTFE	
8	Washer	ASTM A276 Gr. 304SS	
9	Thrust Washer (2)	TFE	
10	Belleville Washer	Carbon Steel - HT	
11	Handle Assy	Carbon Steel-Plated	304 Stainless Steel
12	Handle Nut	Carbon Steel-Plated	304 Stainless Steel
13	Body Seal	R-PTFE	



DIMENSIONS, WEIGHTS, CV FACTORS & MAXIMUM OPERATING TORQUE

SIZE	A	B	C	D	E	WEIGHT LBS.	CV	MAX. TORQUE
1/4-3/8"	.40	1.0	2.0	1.7	4.2	.6	9	40 IN-LB
1/2"	.54	1.1	2.3	1.7	4.2	.75	16	75 IN-LB
3/4"	.68	1.4	2.8	2.1	5.9	1.6	27	120 IN-LB
1"	.88	1.6	3.2	2.3	5.9	2.4	42	150 IN-LB

Numbering System ... How to Order

<u>23</u>	<u>R</u>	<u>C</u>	<u>S</u>	<u>R</u>	<u>R</u>	<u>LH</u>	<u>TT</u>	<u>100</u>
SERIES	PORT SIZE	BODY MATERIAL	BALL/STEM MATERIAL	SEAT MATERIAL	SEAL MATERIAL	HANDLE TYPE	ENDS	SIZE
23 = 2 Piece 3000 WOG	F = Full (1/4"-1/2") R = Reduced (3/4"-1")	C = Carbon	S = 316 Stainless	R = R-PTFE P = PEEK	R = R-PTFE	LH = CS Lever LL = CS Latch Lock SH = Stainless Lever SL = Stainless Latch Lock	TT = FNPT MT = Mx F NPT	025 = 1/4" 038 = 3/8" 050 = 1/2" 075 = 3/4" 100 = 1"