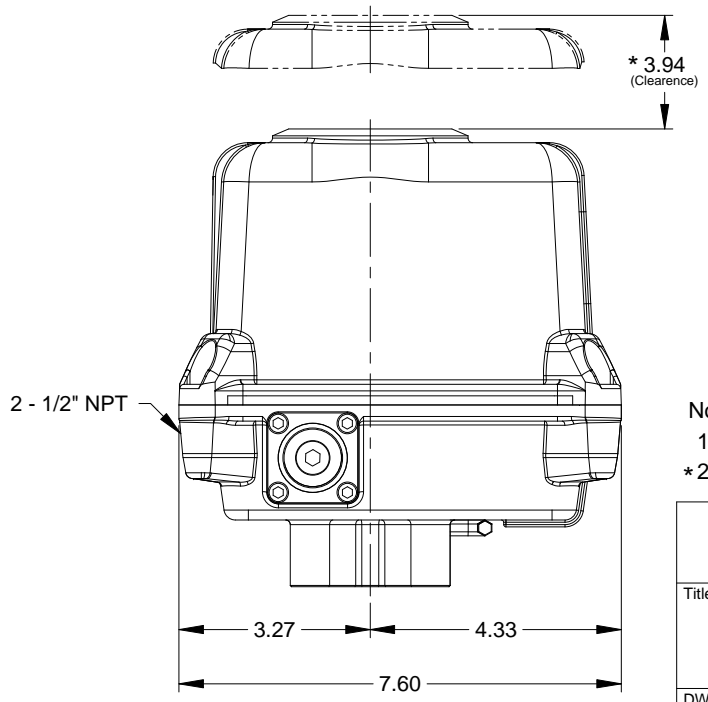
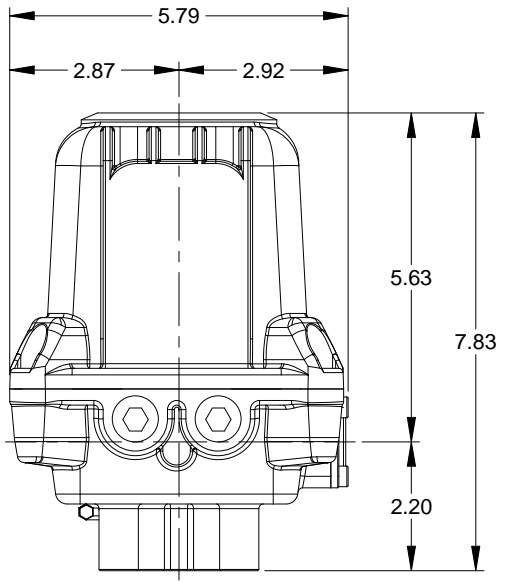
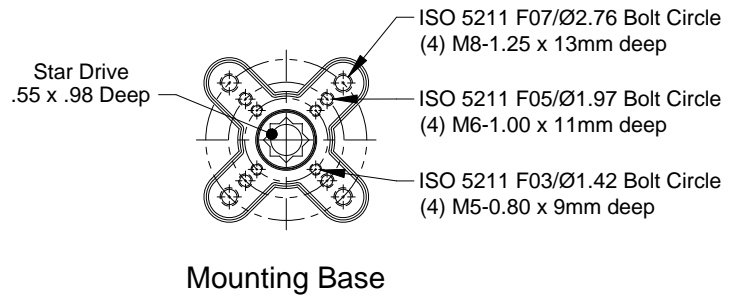
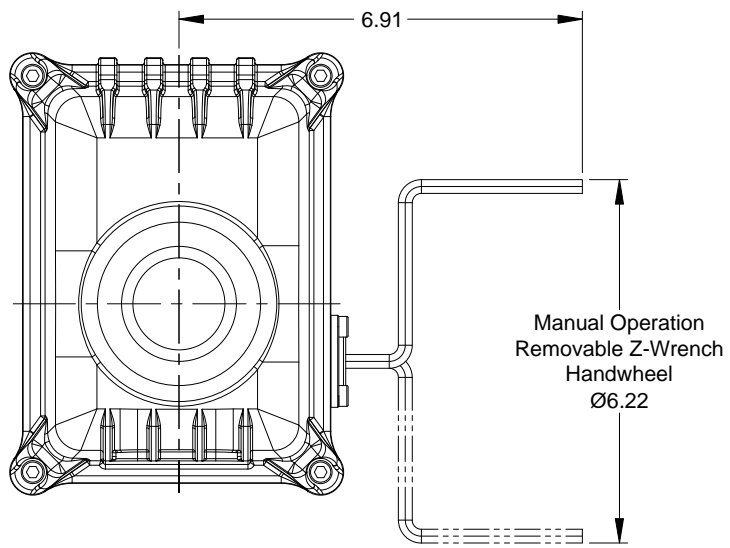


Technical Data			
Model	Handwheel Turns	Output Torque (lbf-in)	Actuator Weight
ABZ005X	6	434	11 lbs
ABZ009X	4-1/2	781	11 lbs



- Notes:
1. ABZ Hazardous Location Enclosure II 2G Ex d IIB T4.
 - *2. Minimum clearance required to remove cover for maintenance.

		Valve Solutions ABZ Valves & Controls		
Title: Compact Electric Series Actuator ABZ 005X and ABZ 009X				Scale 1:1
DWG No. ABZ 005X and ABZ 009X EXP				Projection
Date 11-16-15	Drawn BC	Checked TH	Dimensions are subject to change without notice.	Unit Inch
				Revision 0