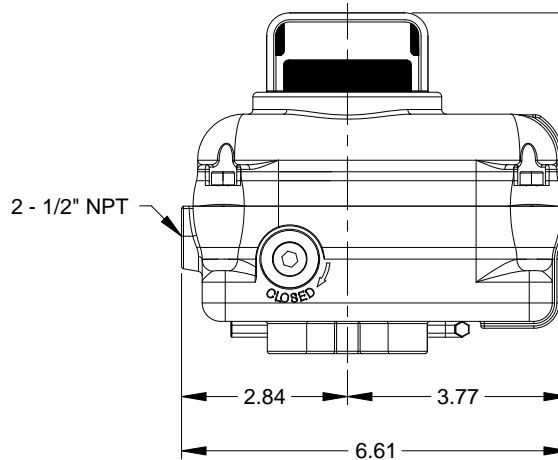
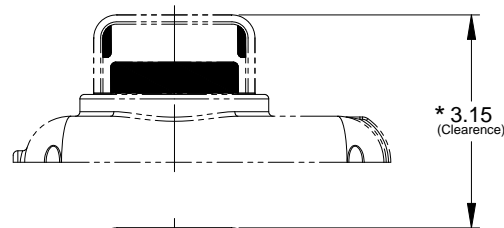
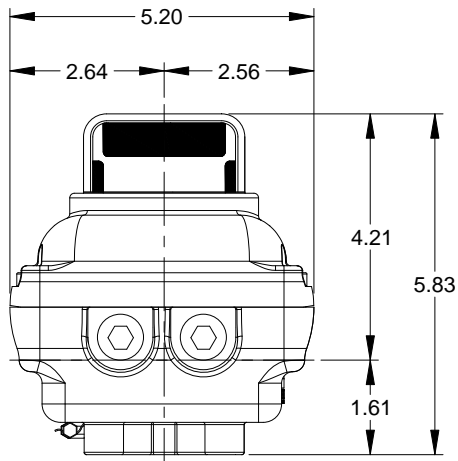
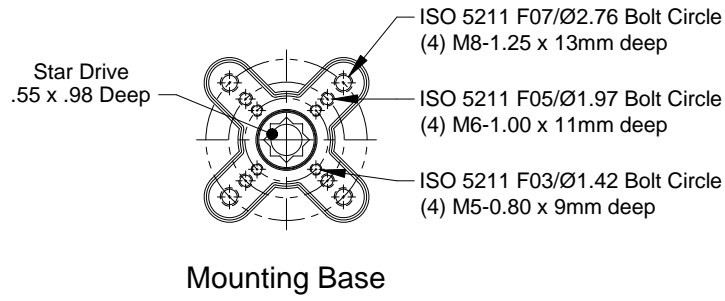
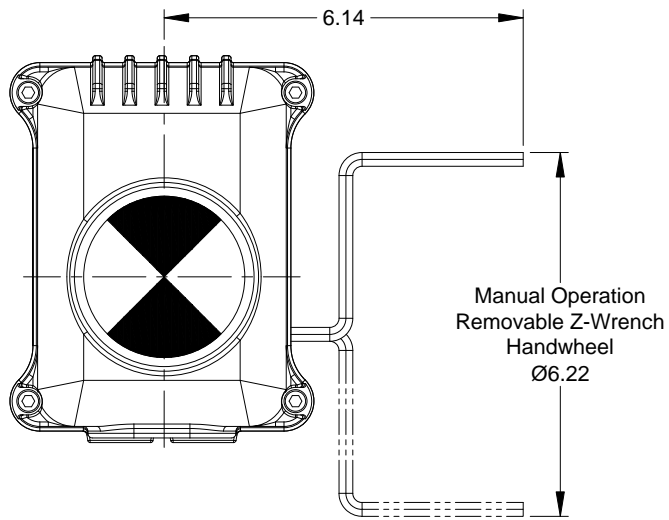


Technical Data			
Model	Handwheel Turns	Output Torque (lbf-in)	Actuator Weight
ABZ005	6	434	6 lbs
ABZ009	4-1/2	781	6 lbs



- Notes:
1. ABZ Standard Location Enclosure Type 4, 4X.
  - \* 2. Minimum clearance required to remove cover for maintenance.

<b>FORUM</b> ENERGY TECHNOLOGIES		Valve Solutions ABZ Valves & Controls		
Title: <b>Compact Electric Series Actuator</b> ABZ 005 and ABZ 009				Scale 1:1
DWG No. ABZ 005 and ABZ 009 (Short Cover) Standard				Projection 
Date 11-16-15	Drawn BC	Checked TH	Dimensions are subject to change without notice.	Unit Inch
				Revision 0