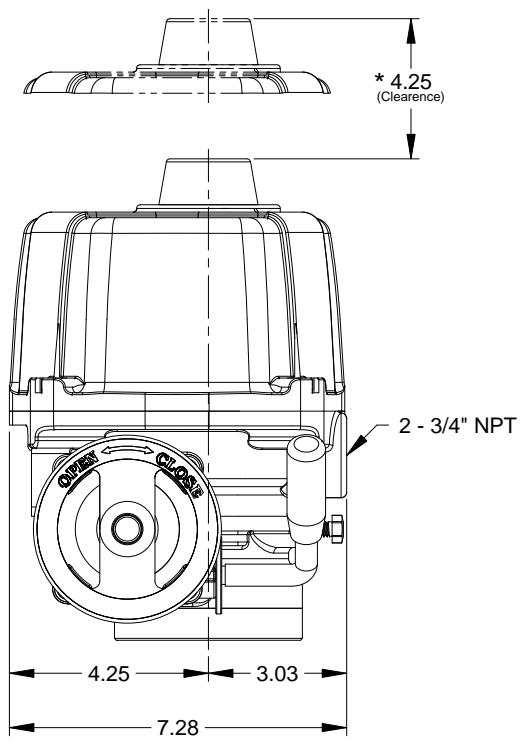
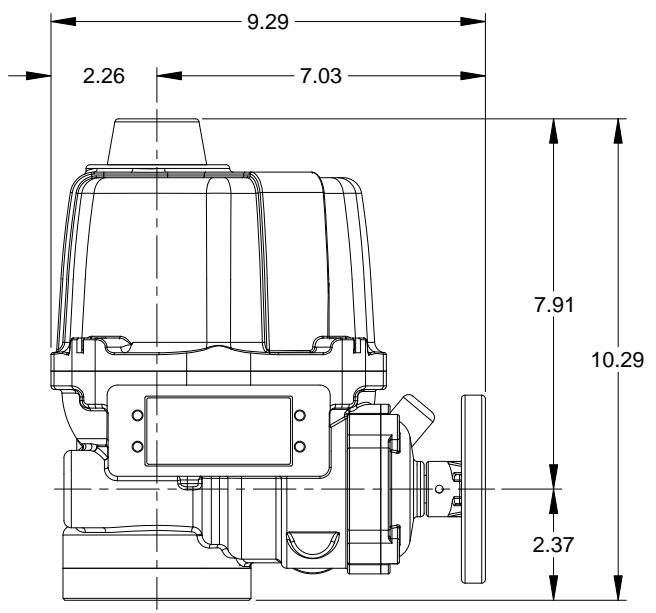
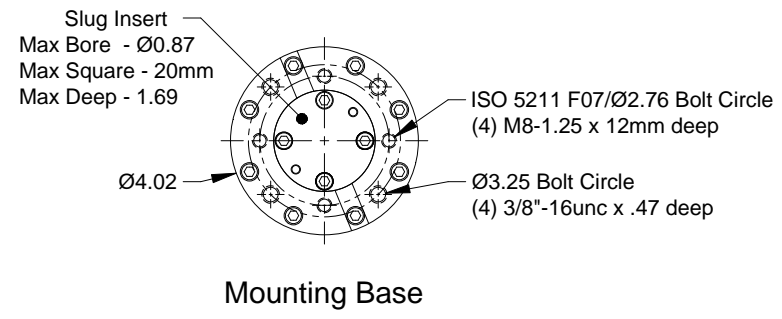
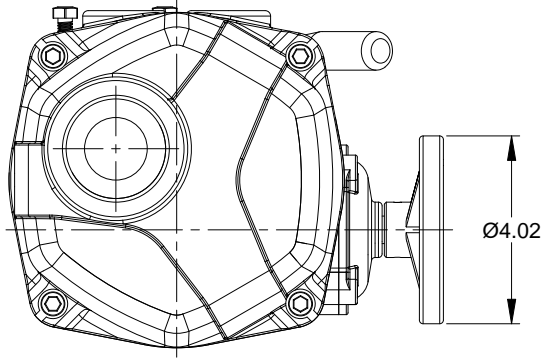


Technical Data			
Model	Handwheel Turns	Output Torque (lbf-in)	Actuator Weight
ABZ006-B	8-1/2	521	20 lbs
ABZ009-B	8-1/2	781	20 lbs



- Notes:
1. ABZ Standard Location Enclosure Type 4, 4X.
 - * 2. Minimum clearance required to remove cover for maintenance.

		Valve Solutions ABZ Valves & Controls		
Title: Electric Series Actuator ABZ 006-B and ABZ 009-B				Scale 1:1
DWG No. ABZ 006-B and ABZ 009-B Standard				Projection
Date 10-08-15	Drawn BC	Checked TH	Dimensions are subject to change without notice.	Unit Inch
Revision 0				Revision 0