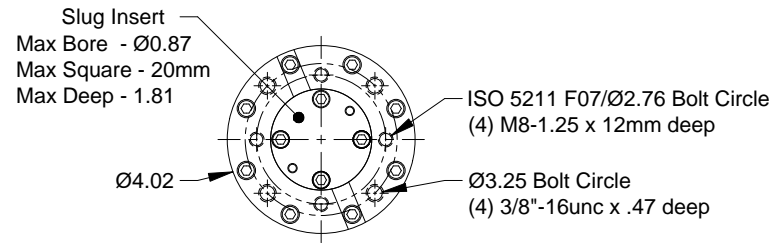
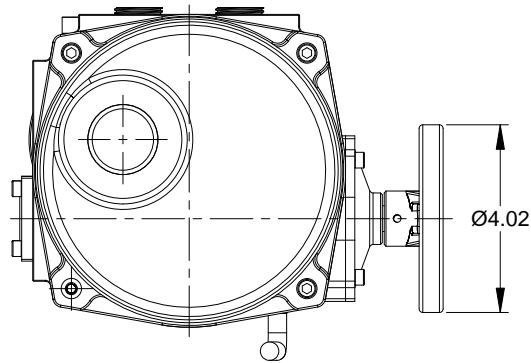
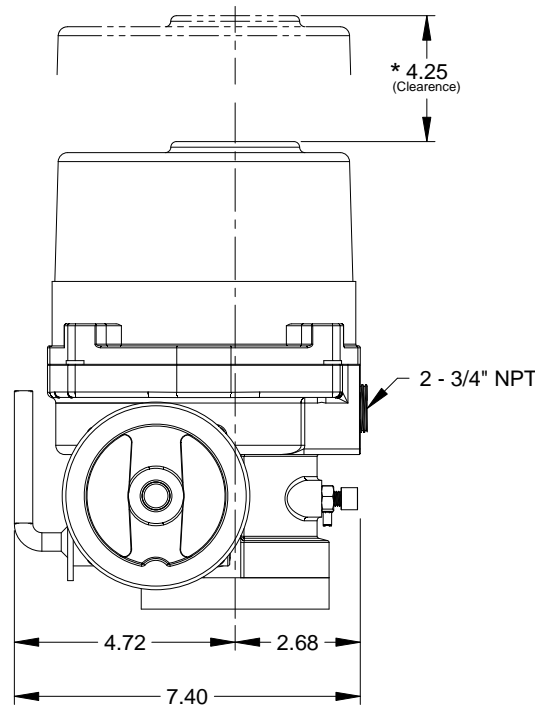
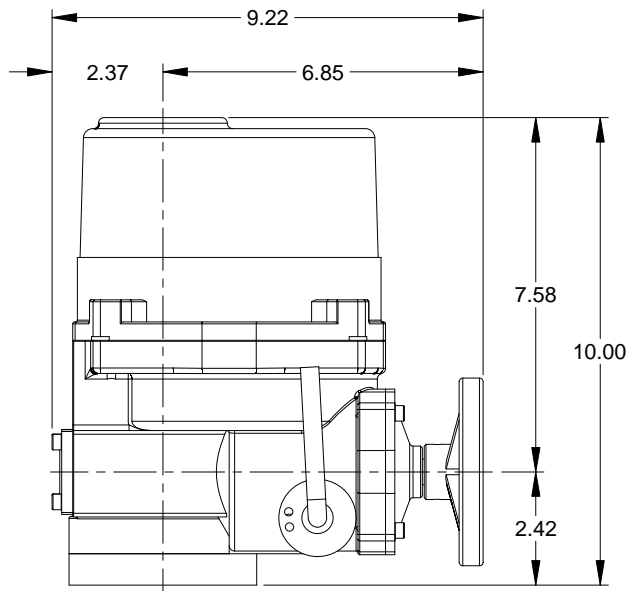



Technical Data			
Model	Handwheel Turns	Output Torque (lbf-in)	Actuator Weight
ABZ006	8-1/2	521	24 lbs
ABZ009	8-1/2	781	24 lbs



Mounting Base




Notes:

1. ABZ Hazardous Location Enclosure  II 2G Ex d IIB T4 Gb
- \* 2. Minimum clearance required to remove cover for maintenance.



Valve Solutions  
ABZ Valves & Controls



Title:		Electric Series Actuator ABZ 006 and ABZ 009		Scale 1:1
DWG No.		ABZ 006 and ABZ 009 EXP		Projection 
Date 10-14-15	Drawn BC	Checked TH	Dimensions are subject to change without notice.	Unit Inch
				Revision 0