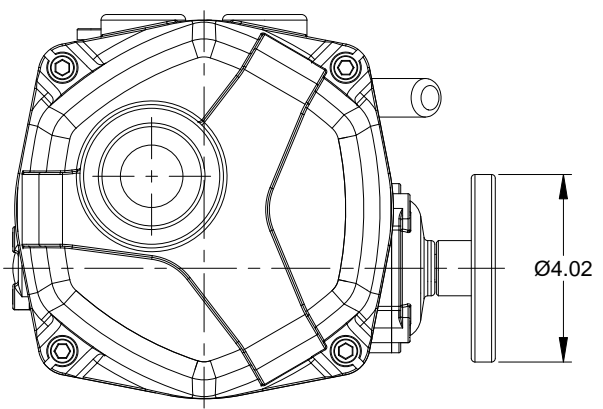
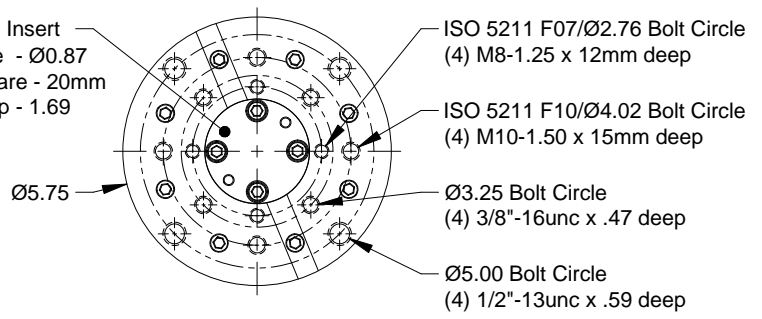


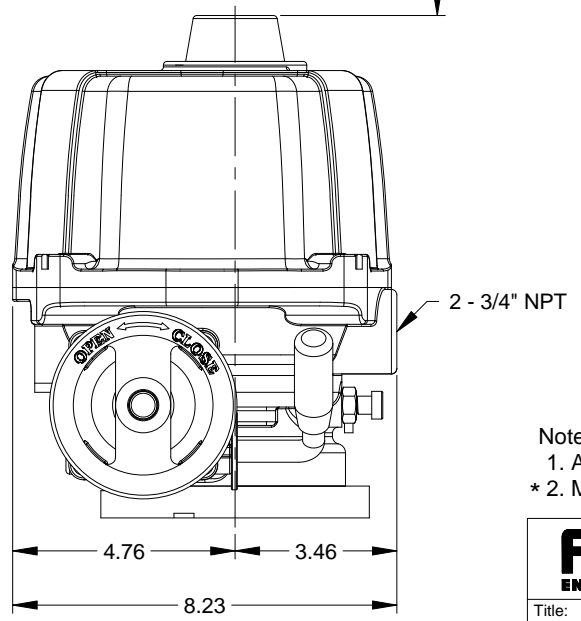
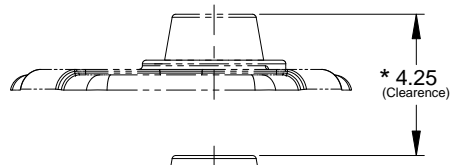
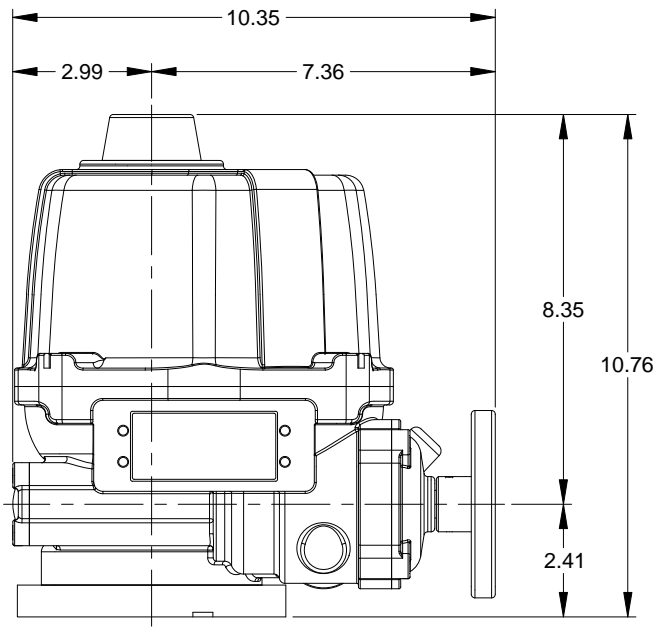
Technical Data			
Model	Handwheel Turns	Output Torque (lbf-in)	Actuator Weight
ABZ015-B	10	1,302	25 lbs
ABZ019-B	10	1,649	25 lbs



Slug Insert
 Max Bore - Ø0.87
 Max Square - 20mm
 Max Deep - 1.69



Mounting Base



- Notes:
 1. ABZ Standard Location Enclosure Type 4, 4X.
 * 2. Minimum clearance required to remove cover for maintenance.



Valve Solutions
 ABZ Valves & Controls



Title: Electric Series Actuator ABZ 015-B and ABZ 019-B		Scale 1:1
DWG No. ABZ 015-B and ABZ 019-B Standard		Projection
Date 10-08-15	Drawn BC	Checked TH
Dimensions are subject to change without notice.		Unit Inch
		Revision 0