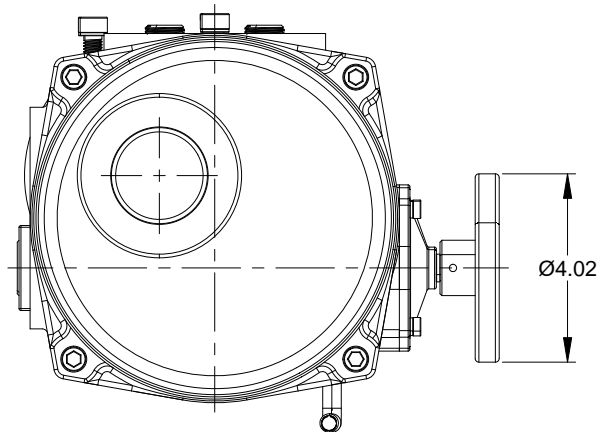
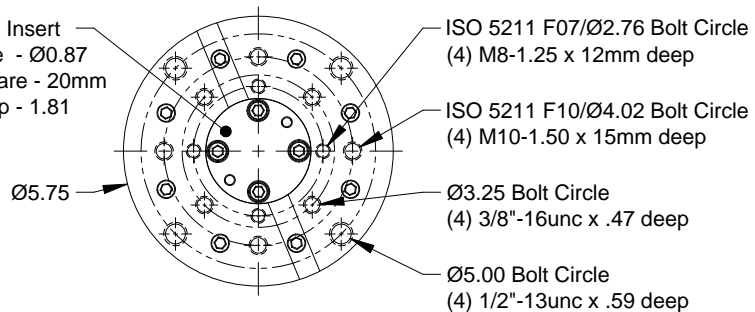


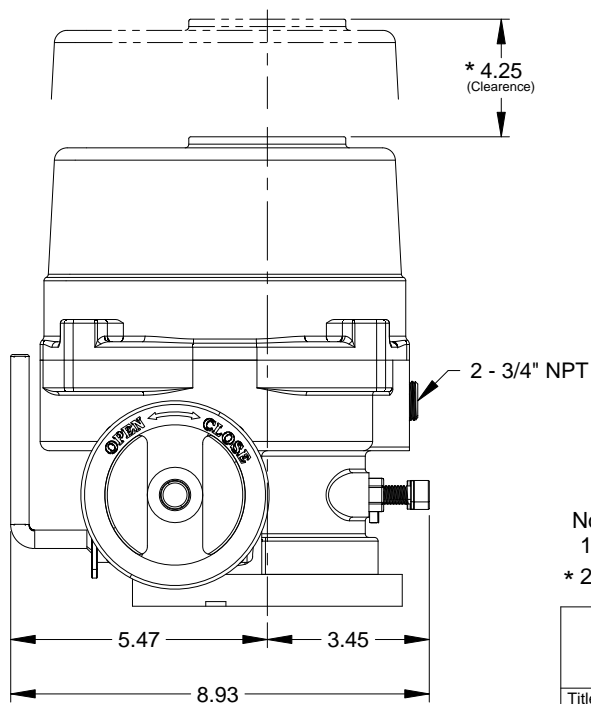
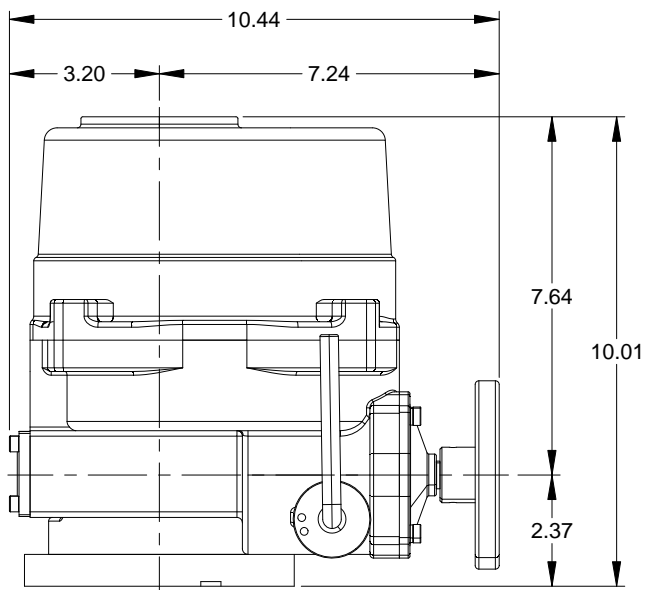
Technical Data			
Model	Handwheel Turns	Output Torque (lbf-in)	Actuator Weight
ABZ015	10	1,302	32 lbs
ABZ019	10	1,649	32 lbs




Slug Insert  
 Max Bore - Ø0.87  
 Max Square - 20mm  
 Max Deep - 1.81



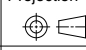


Mounting Base



Notes:

1. ABZ Hazardous Location Enclosure  II 2G Ex d IIB T4 Gb.
- \* 2. Minimum clearance required to remove cover for maintenance.

		Valve Solutions ABZ Valves & Controls		
Title: <b>Electric Series Actuator</b> <b>ABZ 015 and ABZ 019</b>				Scale 1:1
DWG No. ABZ 015 and ABZ 019 EXP				Projection 
Date 10-14-15	Drawn BC	Checked TH	Dimensions are subject to change without notice.	Unit Inch
				Revision 0