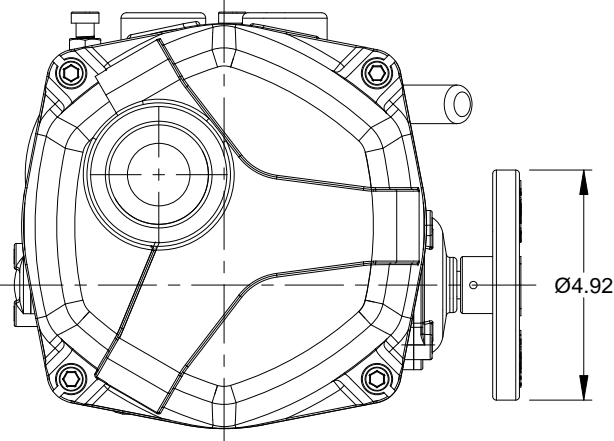
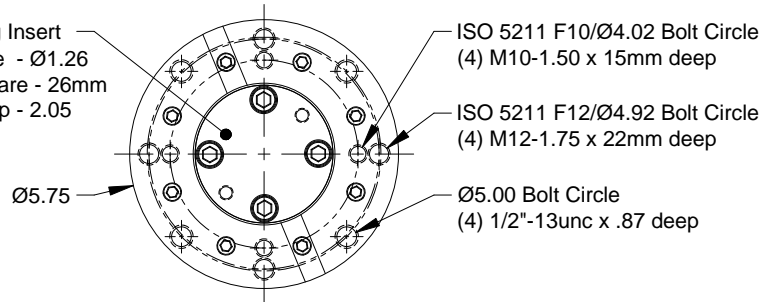


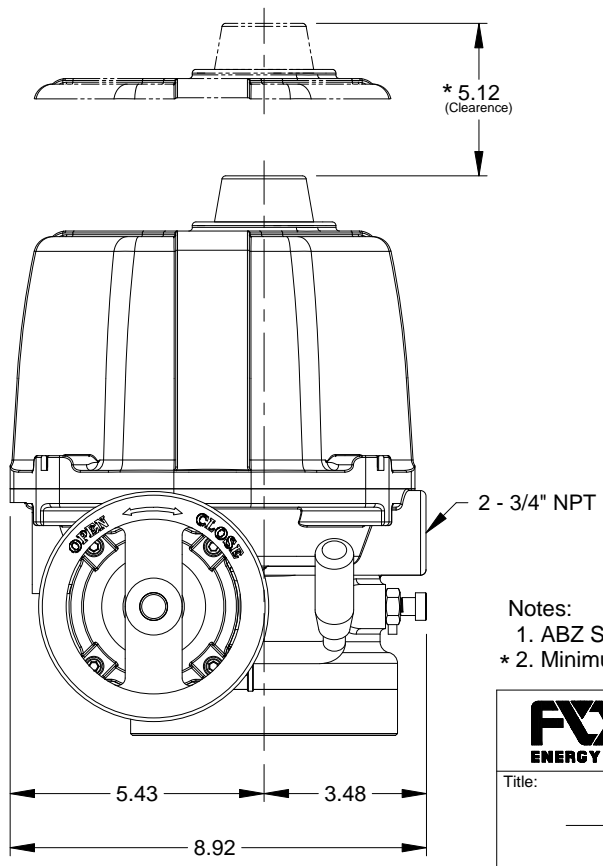
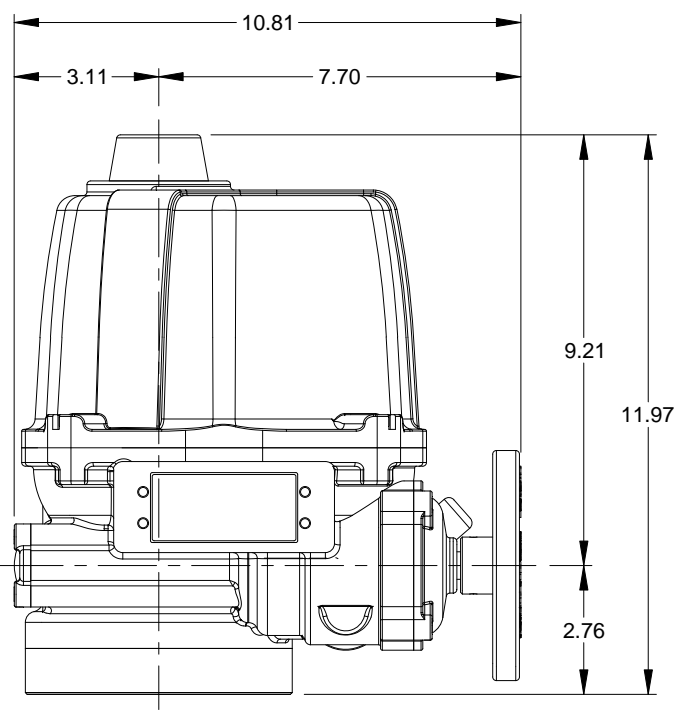
Technical Data			
Model	Handwheel Turns	Output Torque (lbf-in)	Actuator Weight
ABZ028-B	12-1/2	2,430	31 lbs
ABZ038-B	12-1/2	3,298	31 lbs
ABZ050-B	12-1/2	4,340	31 lbs



Slug Insert
 Max Bore - Ø1.26
 Max Square - 26mm
 Max Deep - 2.05



Mounting Base



- Notes:
 1. ABZ Standard Location Enclosure Type 4, 4X.
 * 2. Minimum clearance required to remove cover for maintenance.

		Valve Solutions ABZ Valves & Controls		
Title: Electric Series Actuator ABZ 028-B thru ABZ 050-B				Scale 1:1
DWG No. ABZ 028-B thru ABZ 050-B Standard				Projection
Date 10-08-15	Drawn BC	Checked TH	Dimensions are subject to change without notice.	Unit Inch
Revision 0				Unit Inch