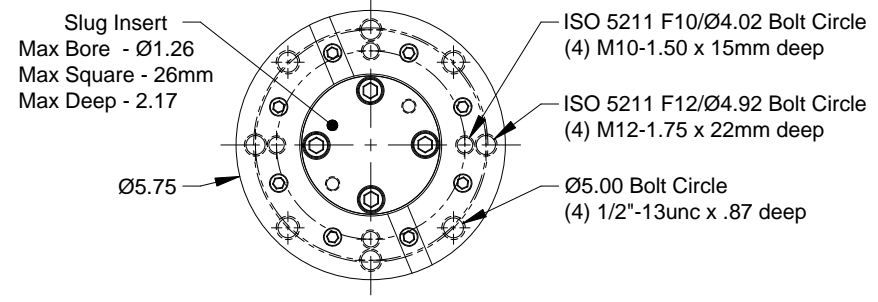
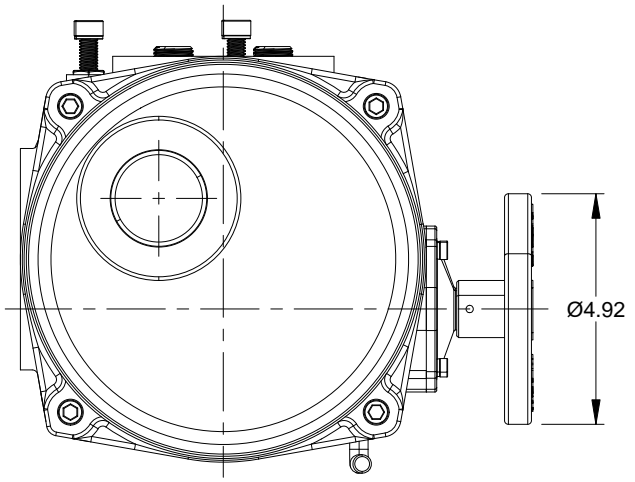
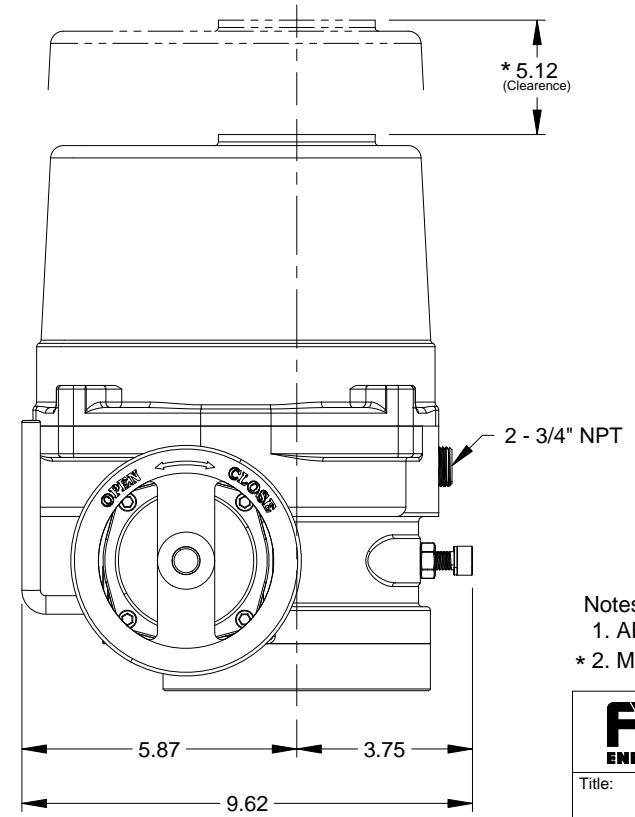
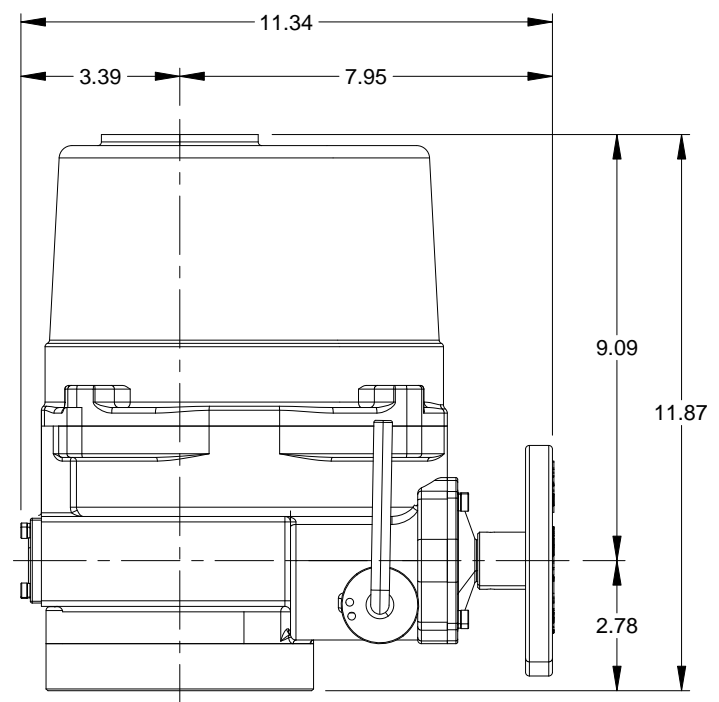


Technical Data			
Model	Handwheel Turns	Output Torque (lbf-in)	Actuator Weight
ABZ028	12-1/2	2,430	42 lbs
ABZ038	12-1/2	3,298	42 lbs
ABZ050	12-1/2	4,340	42 lbs



Mounting Base



- Notes:
1. ABZ Hazardous Location Enclosure II 2G Ex d IIB T4 Gb.
 - * 2. Minimum clearance required to remove cover for maintenance.

		Valve Solutions ABZ Valves & Controls		
Title: Electric Series Actuator ABZ 028 thru ABZ 050				Scale 1:1
DWG No. ABZ 028 thru ABZ 050 EXP				Projection
Date 10-14-15	Drawn BC	Checked TH	Dimensions are subject to change without notice.	Unit Inch
				Revision 0