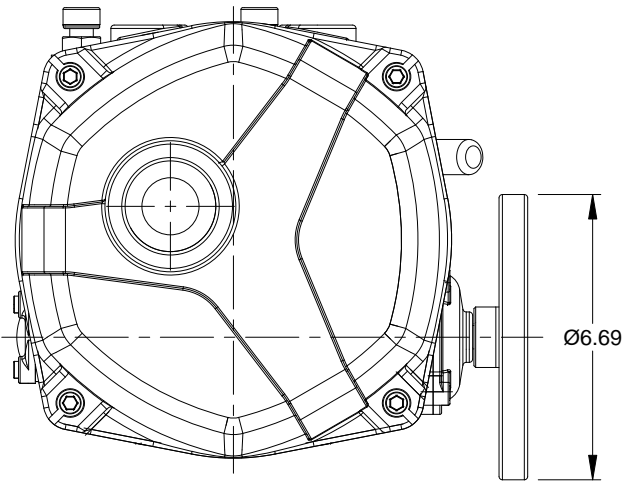
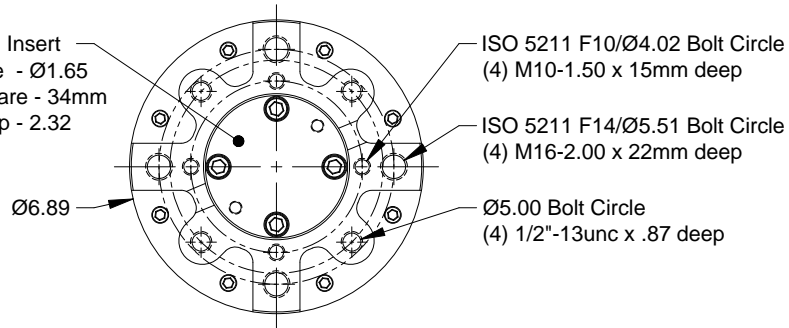


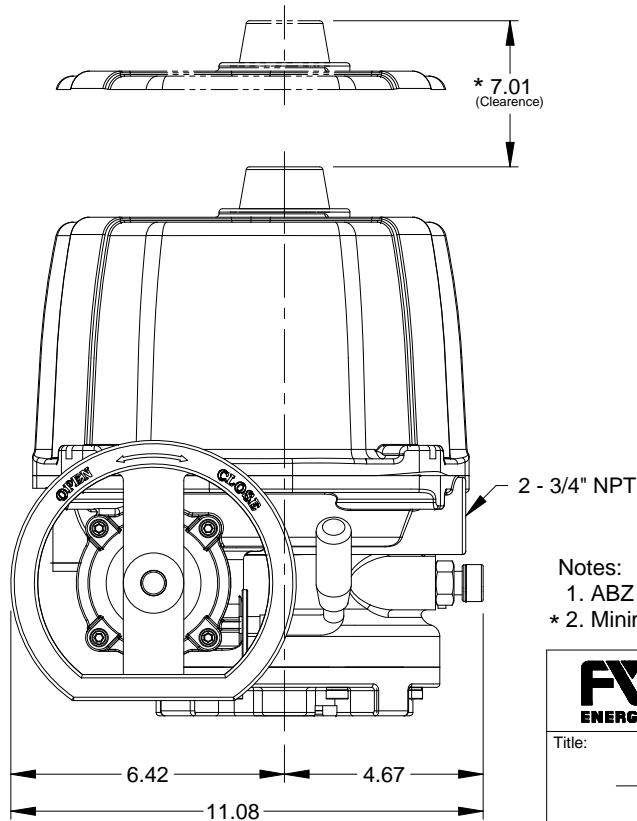
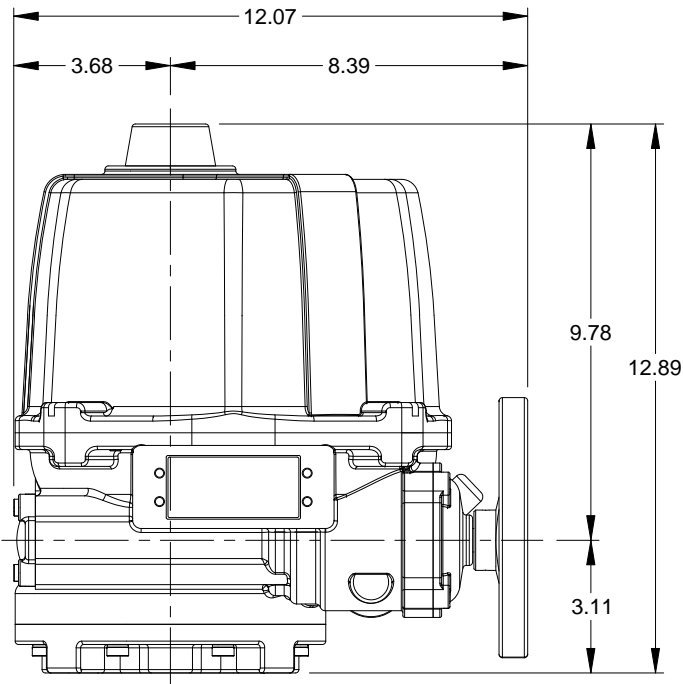
Technical Data			
Model	Handwheel Turns	Output Torque (lbf-in)	Actuator Weight
ABZ060-B	14-1/2	5,208	53 lbs
ABZ080-B	14-1/2	6,944	53 lbs
ABZ100-B	14-1/2	8,680	53 lbs



Slug Insert
 Max Bore - Ø1.65
 Max Square - 34mm
 Max Deep - 2.32



Mounting Base



- Notes:
 1. ABZ Standard Location Enclosure Type 4, 4X.
 * 2. Minimum clearance required to remove cover for maintenance.

FORUM ENERGY TECHNOLOGIES		Valve Solutions ABZ Valves & Controls		
Title: Electric Series Actuator ABZ 060-B thru ABZ 100-B				Scale 1:1
DWG No. ABZ 060-B thru ABZ 100-B Standard				Projection
Date 10-07-15	Drawn BC	Checked TH	Dimensions are subject to change without notice.	Unit inch
				Revision 0