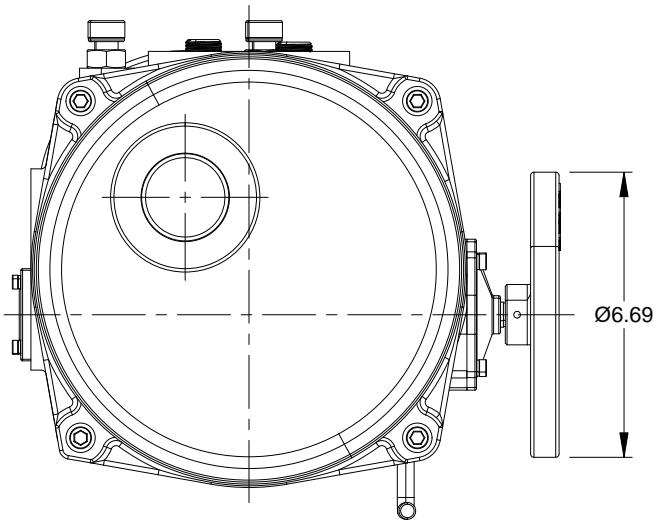
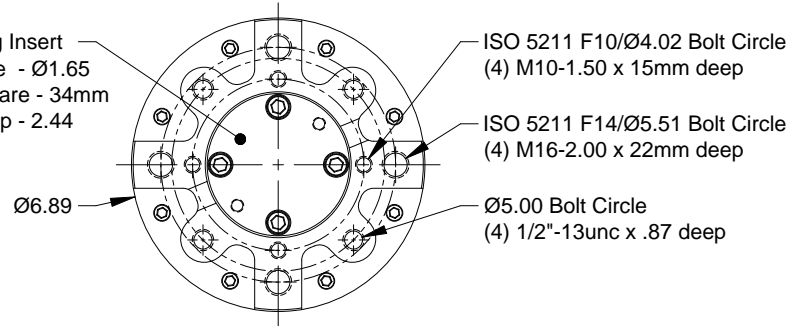


Technical Data			
Model	Handwheel Turns	Output Torque (lbf-in)	Actuator Weight
ABZ060	14-1/2	5,208	52 lbs
ABZ080	14-1/2	6,944	52 lbs
ABZ100	14-1/2	8,680	52 lbs



Slug Insert
 Max Bore - Ø1.65
 Max Square - 34mm
 Max Deep - 2.44

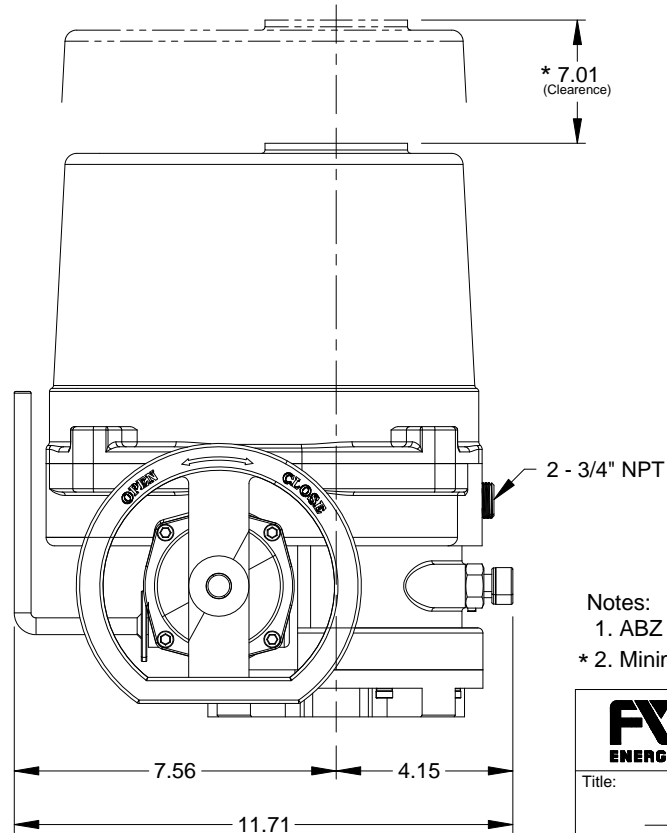
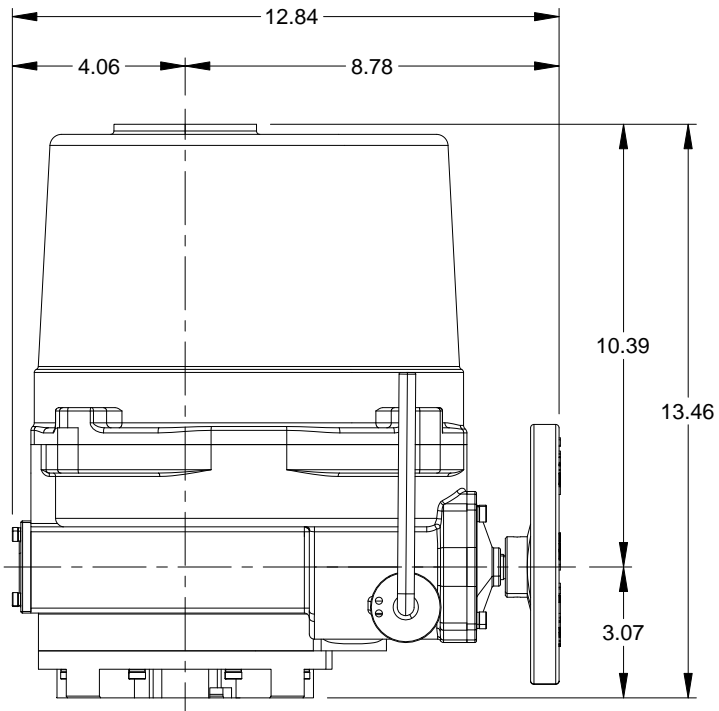


ISO 5211 F10/Ø4.02 Bolt Circle
 (4) M10-1.50 x 15mm deep

ISO 5211 F14/Ø5.51 Bolt Circle
 (4) M16-2.00 x 22mm deep

Ø5.00 Bolt Circle
 (4) 1/2"-13unc x .87 deep

Mounting Base



Notes:

1. ABZ Hazardous Location Enclosure II 2G Ex d IIB T4 Gb.
- * 2. Minimum clearance required to remove cover for maintenance.

		Valve Solutions ABZ Valves & Controls		
Title: Electric Series Actuator ABZ 060 thru ABZ 100				Scale 1:1
DWG No. ABZ 060 thru ABZ 100 EXP				Projection
Date 10-14-15	Drawn BC	Checked TH	Dimensions are subject to change without notice.	Unit inch
				Revision 0