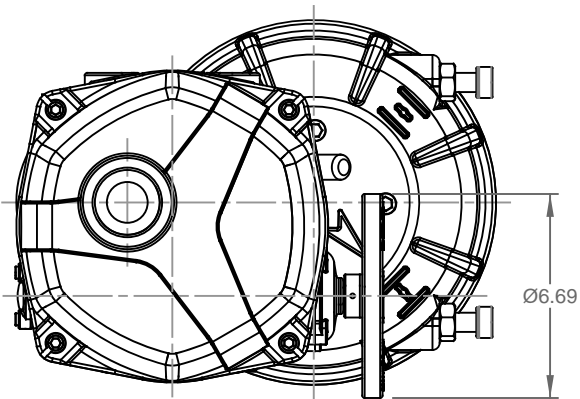
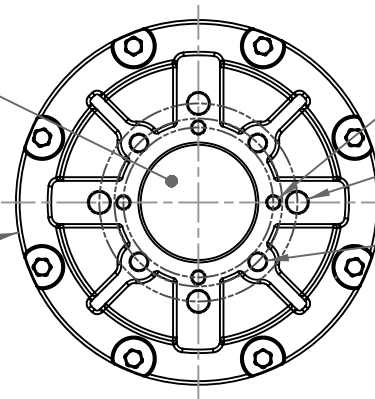


Technical Data			
Model	Handwheel Turns	Output Torque (lbf-in)	Actuator Weight
ABZ150-B	43-1/2	13,020	132 lbs
ABZ200-B	43-1/2	17,360	132 lbs
ABZ250-B	43-1/2	21,700	132 lbs
ABZ300-B	58	26,040	132 lbs
ABZ350-B	58	30,380	132 lbs



Slug Insert
 Max Bore - Ø2.95
 Max Square - 65mm
 Max Deep - 3.94

Ø11.97

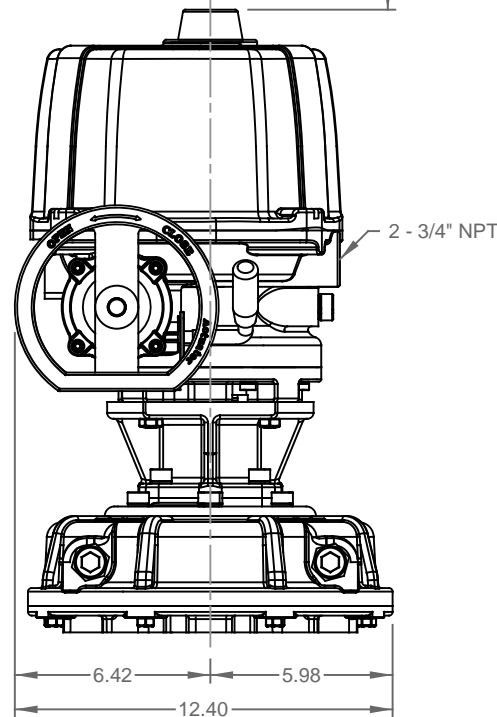
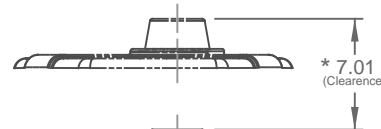
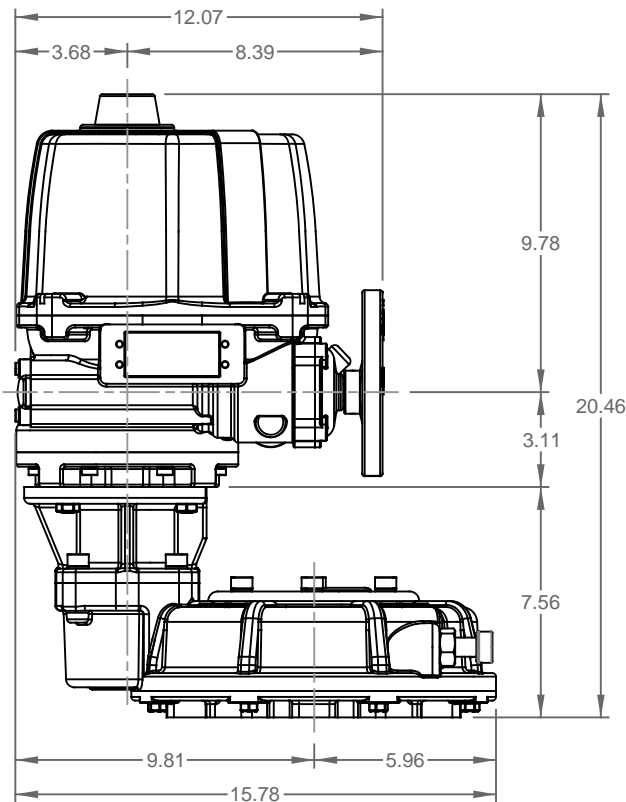


ISO 5211 F12/Ø4.92 Bolt Circle
 (4) M12-1.75 x 25mm deep

ISO 5211 F16/Ø6.50 Bolt Circle
 (4) M20-2.50 x 30mm deep

ISO 5211 F14/Ø5.51 Bolt Circle
 (4) M16-2.00 x 30mm deep

Mounting Base



Notes:

1. ABZ Standard Location Enclosure Type 4, 4X.
- * 2. Minimum clearance required to remove cover for maintenance.

		Valve Solutions ABZ Valves & Controls		
Title: Electric Series Actuator ABZ 150-B thru ABZ 350-B				Scale: 1:1 Projection:
DWG No. ABZ 150-B thru ABZ 350-B Standard				Unit: inch
Date: 10-08-15	Drawn: BC	Checked: TH	Dimensions are subject to change without notice.	Revision: A