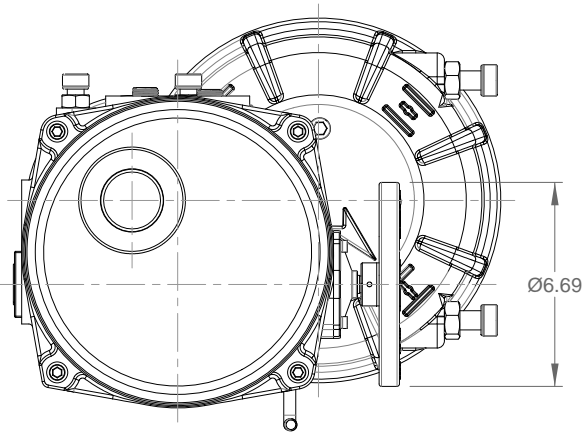
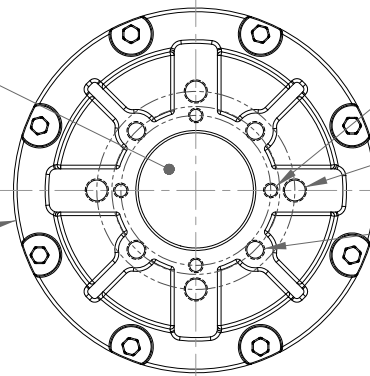


Technical Data			
Model	Handwheel Turns	Output Torque (lbf-in)	Actuator Weight
ABZ150	43-1/2	13,020	152 lbs
ABZ200	43-1/2	17,360	152 lbs
ABZ250	43-1/2	21,700	152 lbs
ABZ300	58	26,040	152 lbs
ABZ350	58	30,380	152 lbs



Slug Insert
 Max Bore - Ø2.95
 Max Square - 65mm
 Max Deep - 3.94

Ø11.97

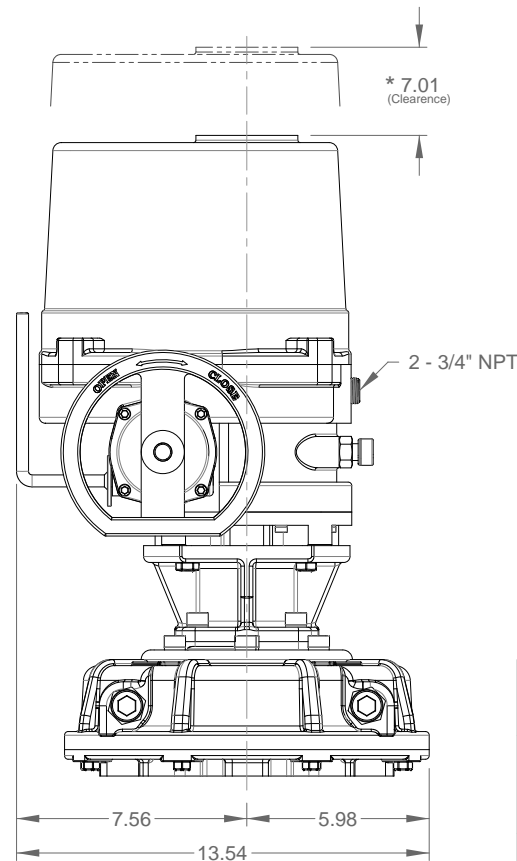
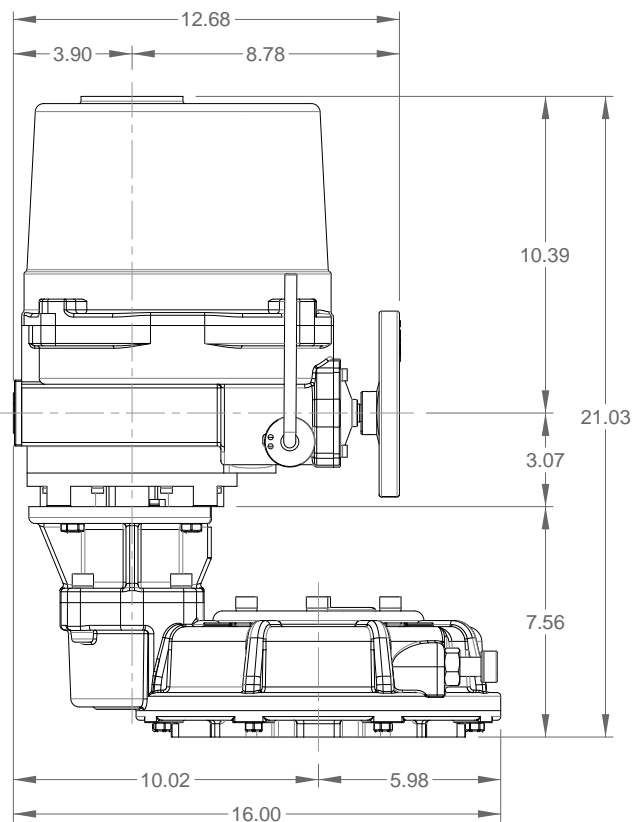


ISO 5211 F12/Ø4.92 Bolt Circle
 (4) M12-1.75 x 25mm deep

ISO 5211 F16/Ø6.50 Bolt Circle
 (4) M20-2.50 x 30mm deep

ISO 5211 F14/Ø5.51 Bolt Circle
 (4) M16-2.00 x 30mm deep

Mounting Base



Notes:

- ABZ Hazardous Location Enclosure II 2G Ex d IIB T4 Gb.
- * 2. Minimum clearance required to remove cover for maintenance.



Valve Solutions
 ABZ Valves & Controls



Title: Electric Series Actuator ABZ 150 thru ABZ 350		Scale: 1:1
Projection: 		Unit: inch
DWG No. ABZ 150 thru ABZ 350 EXP		Revision: A
Date: 10-14-15	Drawn: BC	Checked: TH
Dimensions are subject to change without notice.		