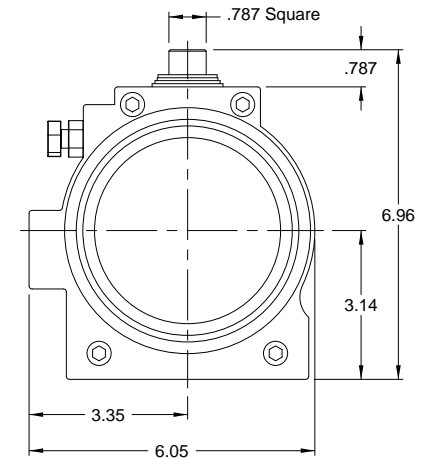
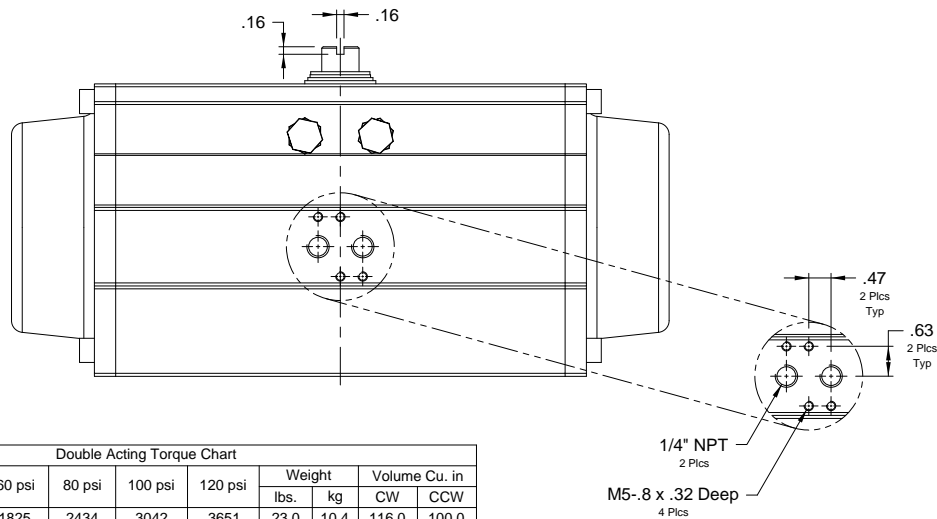


Actuator Mounting



Model	40 psi	60 psi	80 psi	100 psi	120 psi	Weight		Volume Cu. in	
						lbs.	kg	CW	CCW
ABZ 300DA	1217	1825	2434	3042	3651	23.0	10.4	116.0	100.0

Air Consumption (scf per 90 Deg.) = (Volume/1728) x (Supply Pressure + 14.7)/14.7

Model	Spring Set	Spring Torque inch lbs.		40 psi		60 psi		80 psi		100 psi		120 psi		Weight		Volume Cu. in	
		Start	End	Start	End	Start	End	Start	End	Start	End	Start	End	lbs.	kg	Spring	Air
ABZ 300SR	2/2	644	350	1039	745	1739	1445	-	-	-	-	-	-	26.0	11.8	116.0	100.0
	3/3	962	525	865	428	1564	1127	2264	1827	-	-	-	-				
	4/4	1280	700	-	-	1389	809	2089	1509	2780	2200	-	-				
	5/5	1605	880	-	-	1210	485	1184	1184	2599	1874	-	-				
	6/6	1930	1060	-	-	-	-	859	859	2419	1549	-	-				

Air Consumption (scf per 90 Deg.) = (Volume/1728) x (Supply Pressure + 14.7)/14.7

Notes:

1. Minimum clearance required for mounting brackets (top and bottom).

FORUM ENERGY TECHNOLOGIES		Valve Solutions ABZ Valves & Controls		
Title: Pneumatic Actuator				Unit inch
Series 228 - ABZ 300 - Rack & Pinion				Projection RO
DWG No. ABZ 300				Template RO
Date 04-19-16	Drawn BC	Checked TH	Dimensions are subject to change without notice.	Revision 0