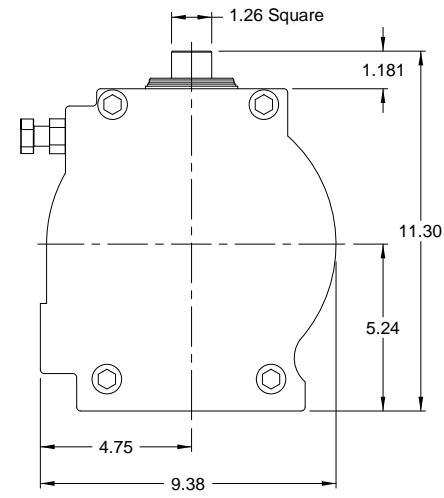
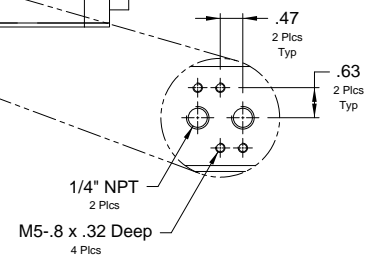
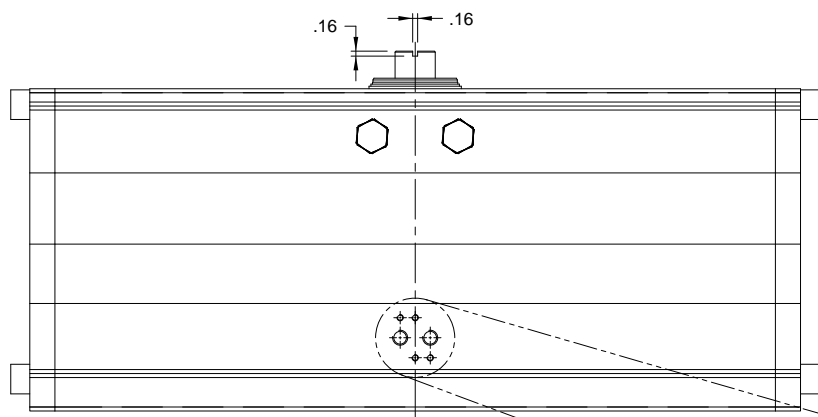


Actuator Mounting



Notes:
1. Minimum clearance required for mounting brackets (top and bottom).

Double Acting Torque Chart								
Model	Supply Air	0 Degree			Weight		Volume Cu. in	
		0 Degree	Min	90 Degree	lbs.	kg	CW	CCW
ABZ 3500DA	60 psi	26650	13330	23200	125.0	56.7	650.0	585.0
	80 psi	35550	17750	30960				
	100 psi	44440	22200	38700				
Air Consumption (scf per 90 Deg.) = (Volume/1728) x (Supply Pressure + 14.7)/14.7								

		Valve Solutions ABZ Valves & Controls		
Title: Pneumatic Actuator Series 228 - ABZ 3500 - Scotch Yoke				
DWG No. ABZ 3500DA		Unit inch Projection		
Date 04-19-16	Drawn BC	Checked TH	Dimensions are subject to change without notice.	
Template RO		Revision 0		