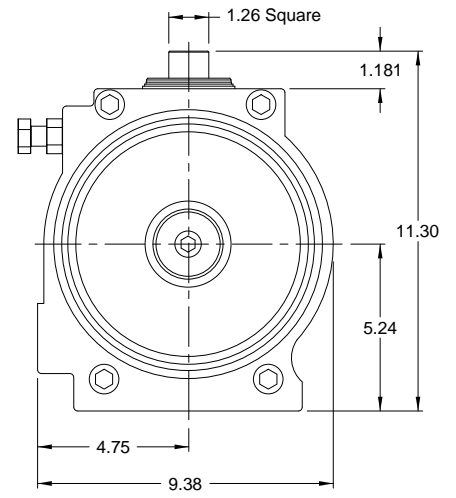
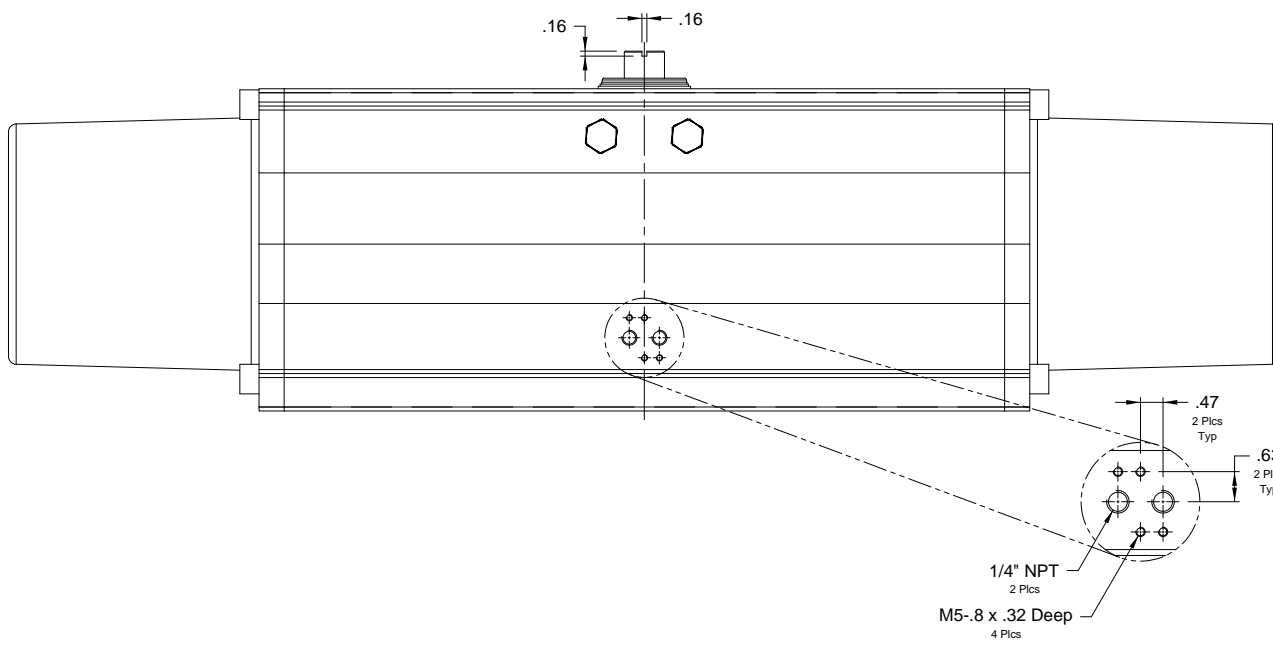


Actuator Mounting



Notes:  
1. Minimum clearance required for mounting brackets (top and bottom).

Model	Supply Air	Spring Start	Run	Spring End	Air Start	Run	Air End	Weight		Volume Cu. in	
								lbs.	kg	CW	CCW
ABZ 3500SR	60 psi	12000	5000	6900	19700	8000	11200	195.0	88.5	525.0	310.0
	80 psi	18100	7900	11000	24500	9500	12800				

Air Consumption (scf per 90 Deg.) = (Volume/1728) x (Supply Pressure + 14.7)/14.7

Model	Supply Air	Spring Start	Run	Spring End	Air Start	Run	Air End	Weight		Volume Cu. in	
								lbs.	kg	CW	CCW
ABZ 3500SR	60 psi	12400	4600	5410	15000	8200	12000	195.0	88.5	525.0	310.0
	80 psi	15600	7200	8400	19000	10200	12800				

Air Consumption (scf per 90 Deg.) = (Volume/1728) x (Supply Pressure + 14.7)/14.7

		Valve Solutions ABZ Valves & Controls		
<b>Pneumatic Actuator</b>				
Series 228 - ABZ 3500 - Scotch Yoke				
DWG No.		ABZ 3500SR		
Date 04-19-16	Drawn BC	Checked TH	Dimensions are subject to change without notice.	Unit inch Projection  Template R0 Revision 0