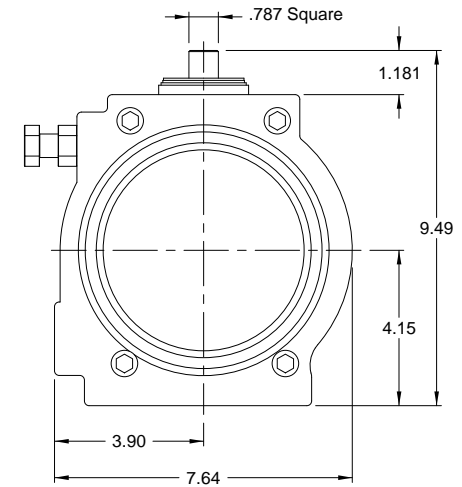
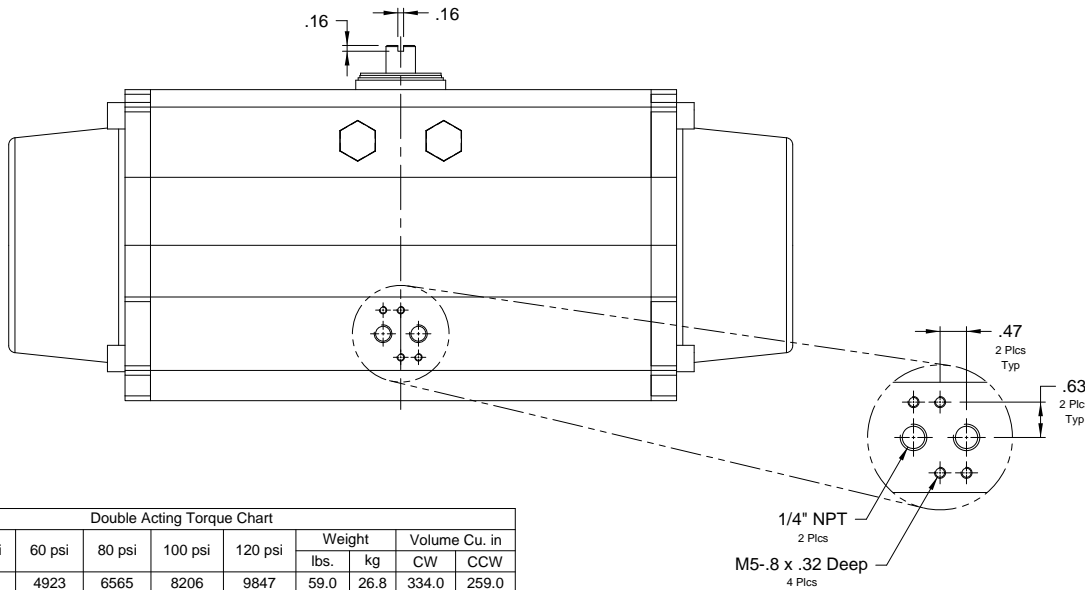


Actuator Mounting



Model	40 psi		60 psi		80 psi		100 psi		120 psi		Weight		Volume Cu. in	
	Start	End	Start	End	Start	End	Start	End	Start	End	lbs.	kg	CW	CCW
ABZ 850DA	3282	4923	6565	8206	9847		59.0	26.8	334.0	259.0				

Air Consumption (scf per 90 Deg.) = (Volume/1728) x (Supply Pressure + 14.7)/14.7

Model	Spring Set	Spring Torque inch lbs.		40 psi		60 psi		80 psi		100 psi		120 psi		Weight		Volume Cu. in	
		Start	End	Start	End	Start	End	Start	End	Start	End	Start	End	lbs.	kg	Spring	Air
ABZ 850SR	2/2	1230	740	1989	1499	3419	2929	-	-	-	-	-	-	68.0	30.8	334.0	259.0
	3/3	1835	1100	1830	1095	3059	2324	4379	3644	-	-	-	-				
	4/4	2440	1460	-	-	2699	1719	4019	3039	4300	4320	-	-				
	5/5	3050	1815	-	-	2345	1110	3664	2429	4944	3709	-	-				
	6/6	3660	2170	-	-	-	-	3309	1819	4589	3099	-	-				

Air Consumption (scf per 90 Deg.) = (Volume/1728) x (Supply Pressure + 14.7)/14.7

Notes:
1. Minimum clearance required for mounting brackets (top and bottom).

		Valve Solutions ABZ Valves & Controls		
Title: Pneumatic Actuator				Unit: inch
Series 228 - ABZ 850 - Rack & Pinion				Projection:
DWG No. ABZ 850				Template: R0
Date: 04-19-16	Drawn: BC	Checked: TH	Dimensions are subject to change without notice.	Revision: 0