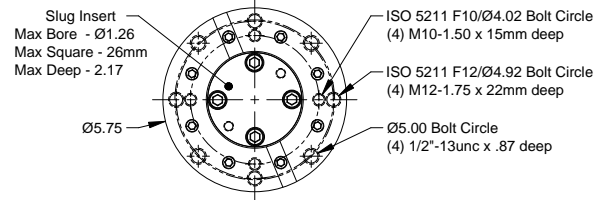
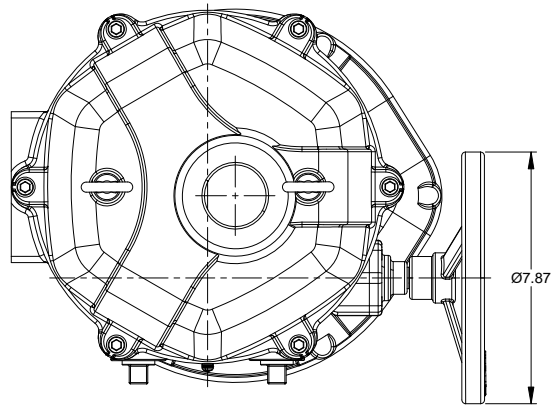
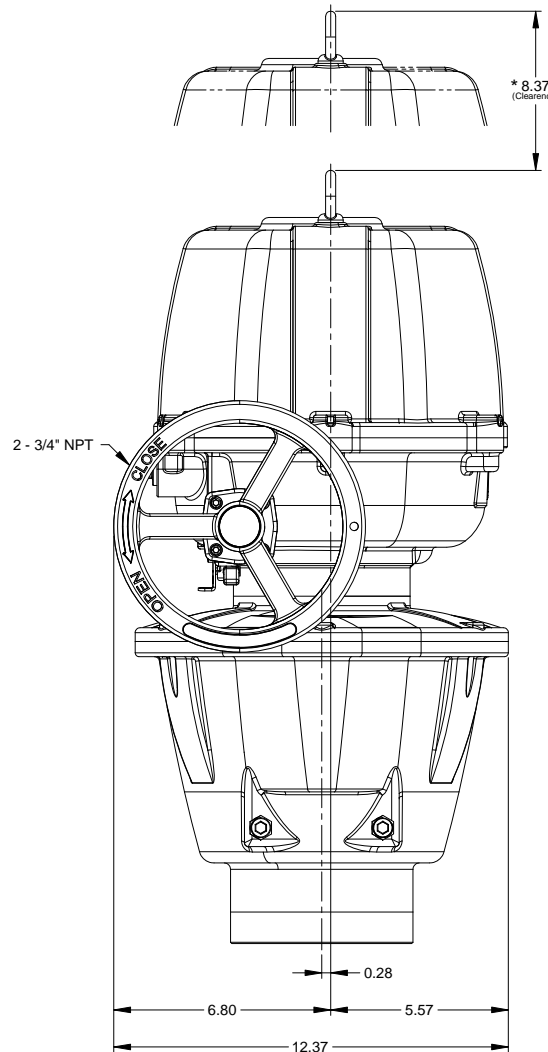
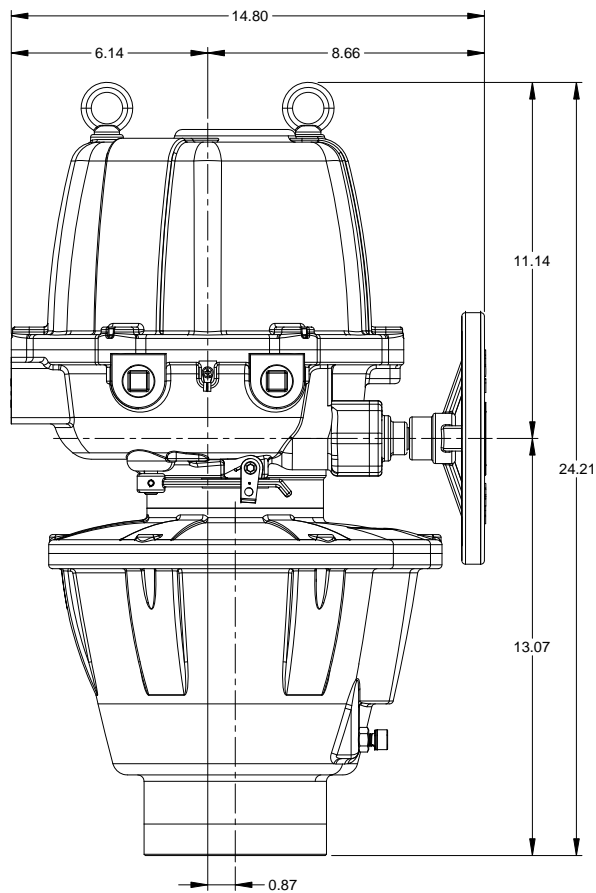



Technical Data			
Model	Handwheel Turns	Output Torque (lb-in)	Actuator Weight
ABZ E1730SR	75	1730	112 lbs



Mounting Base



- Notes:
1. ABZ Standard Location Enclosure Type 4, 4X.
 2. ABZ Hazardous Location Enclosure  II 2G Ex d IIB T4 Gb
 - *3. Minimum clearance required to remove cover for maintenance.

		Valve Solutions ABZ Valves & Controls		
Title: Spring Return Electric Series Actuator ABZ E1730SR				Scale 1:1
DWG No. ABZ E1730SR Standard & EXP				Projection 
Date 12-14-15	Drawn BC	Checked TH	Dimensions are subject to change without notice.	Unit Inch Revision 0