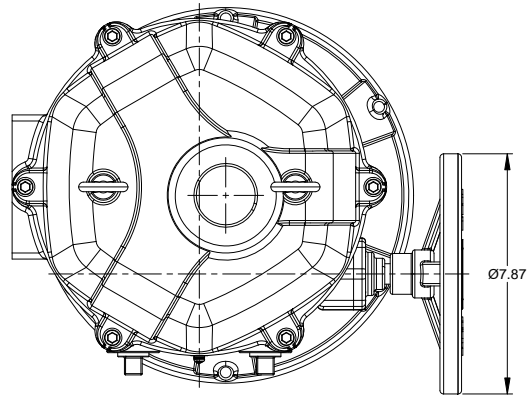
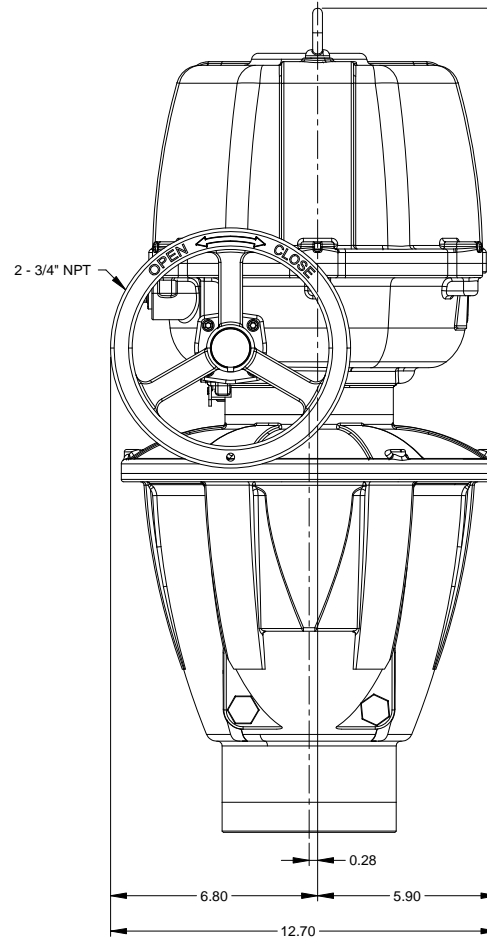
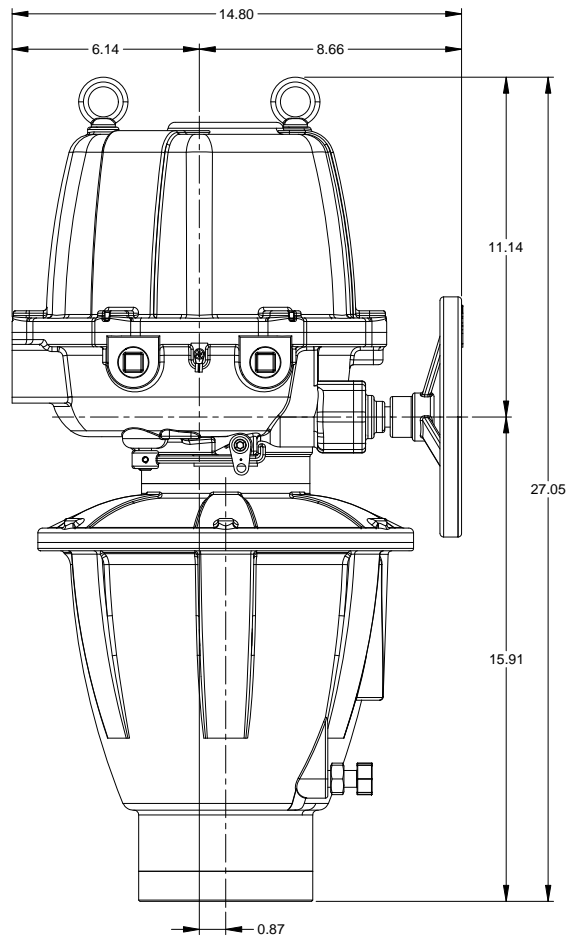
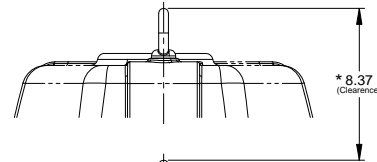


Technical Data			
Model	Handwheel Turns	Output Torque (lb-in)	Actuator Weight
ABZ E2600SR	113	2600	148 lbs



- Slug Insert
Max Bore - Ø1.26
Max Square - 26mm
Max Deep - 2.17
- ISO 5211 F10/Ø4.02 Bolt Circle
(4) M10-1.50 x 15mm deep
- ISO 5211 F12/Ø4.92 Bolt Circle
(4) M12-1.75 x 22mm deep
- Ø5.75
- Ø5.00 Bolt Circle
(4) 1/2"-13unc x .87 deep

Mounting Base



- Notes:
- ABZ Hazardous Location Enclosure II 2G Ex d IIB T4 Gb
 - Minimum clearance required to remove cover for maintenance.

FORUM ENERGY TECHNOLOGIES		Valve Solutions ABZ Valves & Controls		
Title: Spring Return Electric Series Actuator ABZ E2600SR				Scale: 1:1 Projection:
DWG No. ABZ E2600SR EXP				Unit: Inch
Date: 12-22-15	Drawn: BC	Checked: TH	Dimensions are subject to change without notice.	Revision: 0