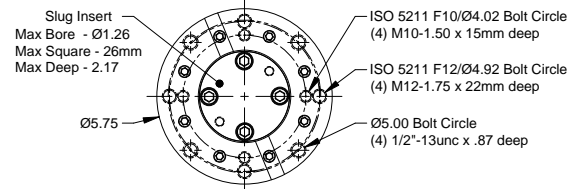
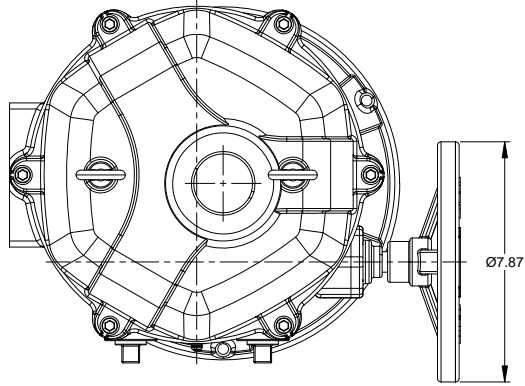
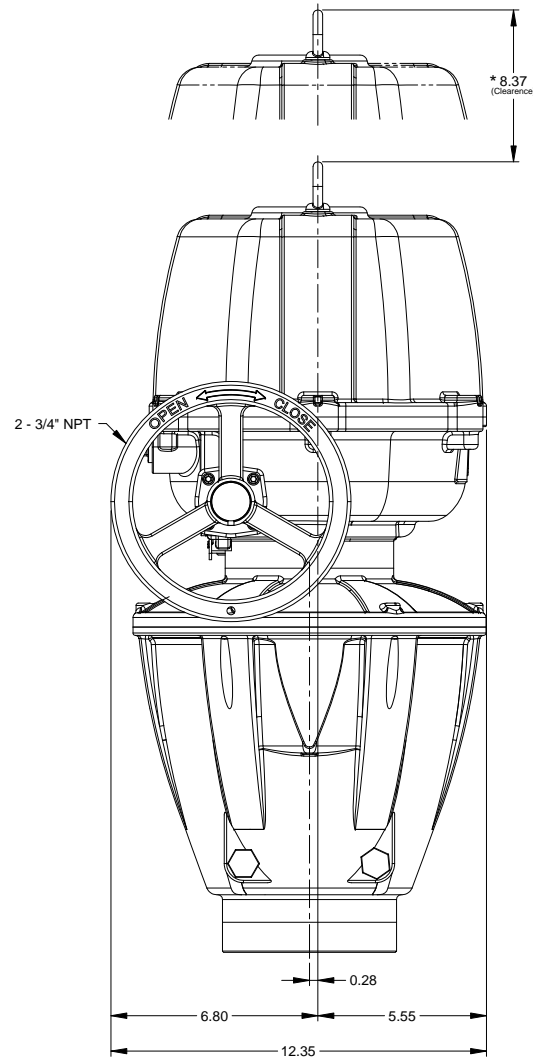
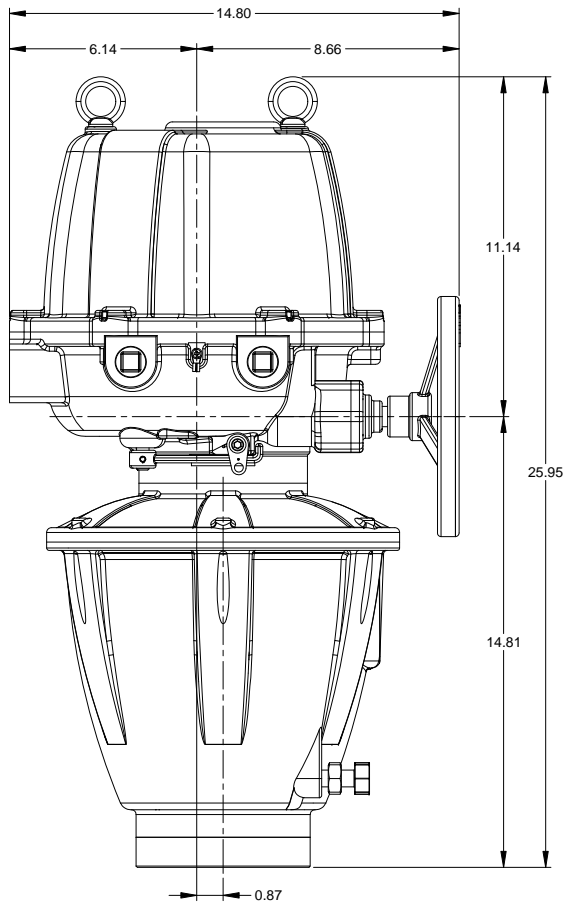


Technical Data			
Model	Handwheel Turns	Output Torque (lb-in)	Actuator Weight
ABZ E2600SR	113	2600	137 lbs



Mounting Base



- Notes:
1. ABZ Standard Location Enclosure Type 4, 4X.
 - * 2. Minimum clearance required to remove cover for maintenance.

FORUM ENERGY TECHNOLOGIES		Valve Solutions ABZ Valves & Controls		
Title: Spring Return Electric Series Actuator ABZ E2600SR				Scale: 1:1 Projection:
DWG No. ABZ E2600SR Standard				Unit: Inch
Date: 12-22-15	Drawn: BC	Checked: TH	Dimensions are subject to change without notice.	Revision: 0