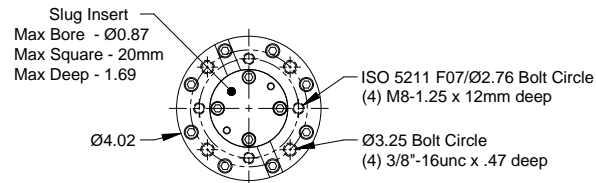
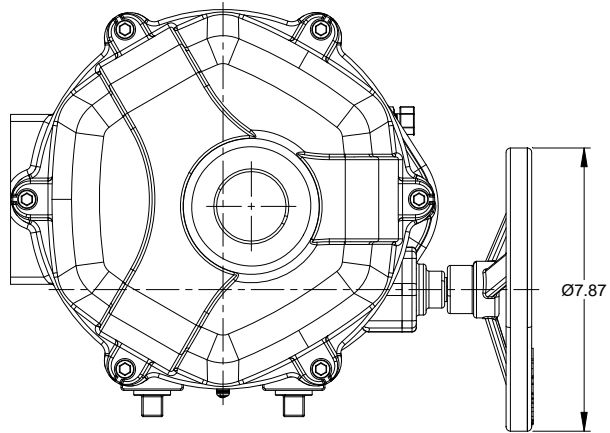
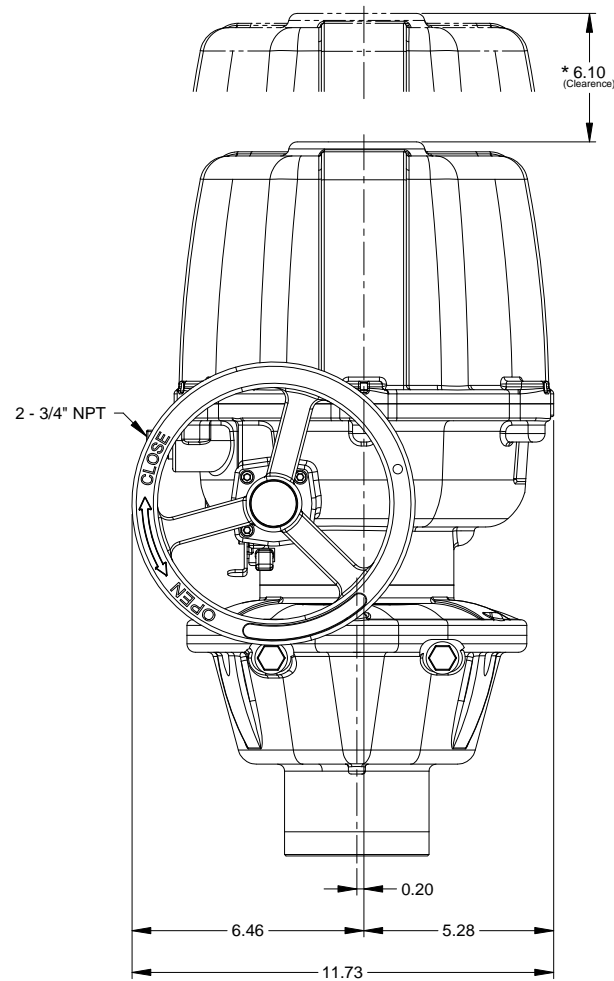
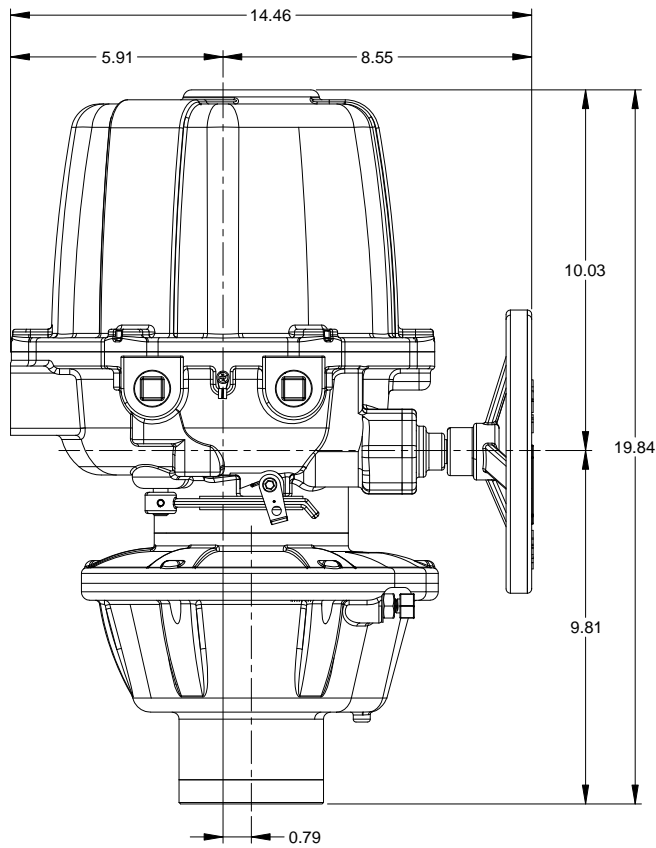


Technical Data			
Model	Handwheel Turns	Output Torque (lb-in)	Actuator Weight
ABZ E430SR	25	430	68 lbs



Mounting Base



Notes:

- 1. ABZ Hazardous Location Enclosure II 2G Ex d IIB T4 Gb
- *2. Minimum clearance required to remove cover for maintenance.

FORUM ENERGY TECHNOLOGIES		Valve Solutions ABZ Valves & Controls		
Title: Spring Return Electric Series Actuator ABZ E430SR				Scale: 1:1 Projection:
DWG No. ABZ E430SR EXP				Unit: Inch
Date: 12-14-15	Drawn: BC	Checked: TH	Dimensions are subject to change without notice.	Revision: 0