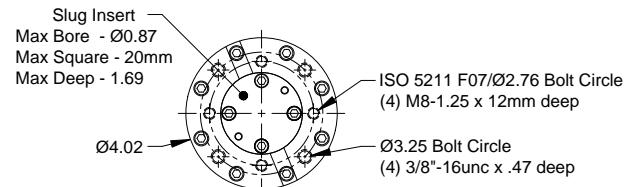
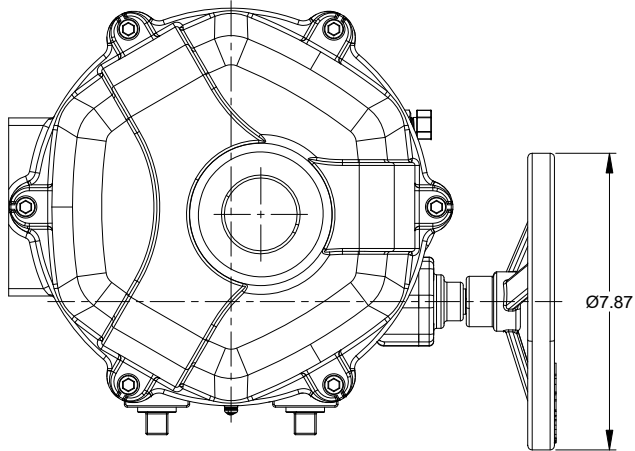
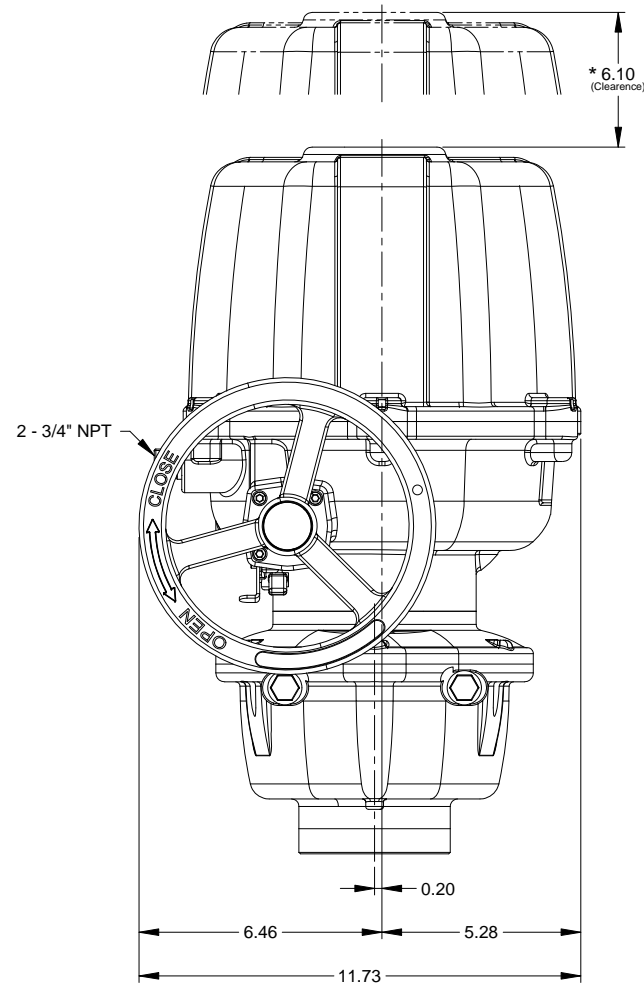
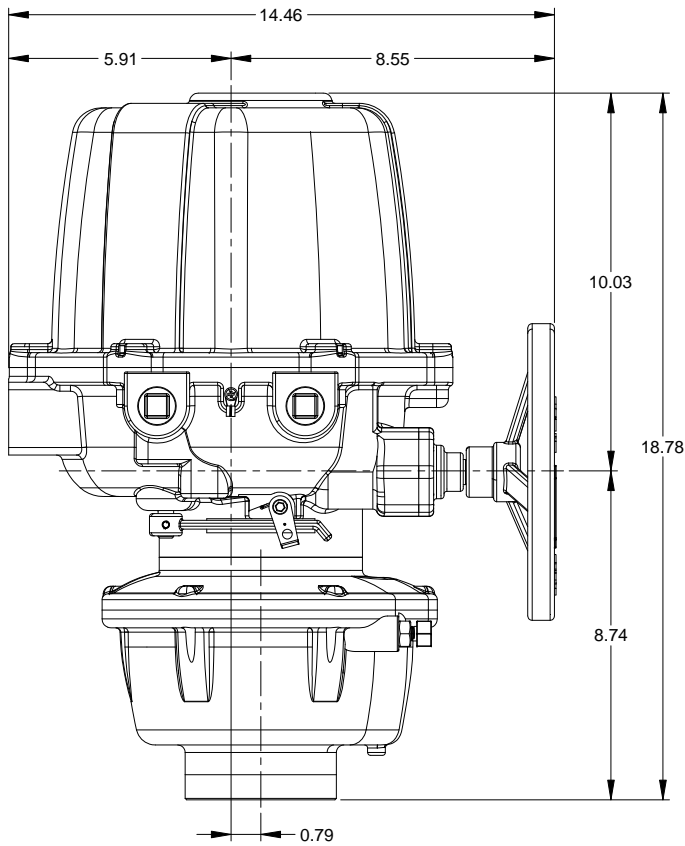


Technical Data			
Model	Handwheel Turns	Output Torque (lbf-in)	Actuator Weight
ABZ E430SR	25	430	57 lbs



Mounting Base



- Notes:
1. ABZ Standard Location Enclosure Type 4, 4X.
  - \* 2. Minimum clearance required to remove cover for maintenance.

<b>FORUM</b> ENERGY TECHNOLOGIES		Valve Solutions ABZ Valves & Controls		
Title: Spring Return Electric Series Actuator ABZ E430SR				Scale 1:1
DWG No. ABZ E430SR Standard				Projection 
Date 11-25-15	Drawn BC	Checked TH	Dimensions are subject to change without notice.	Unit Inch
				Revision 0