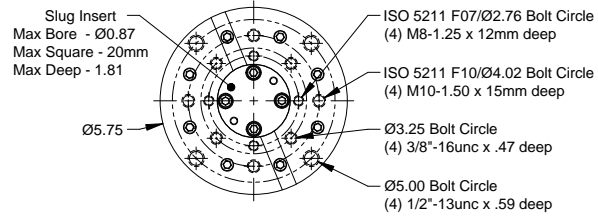
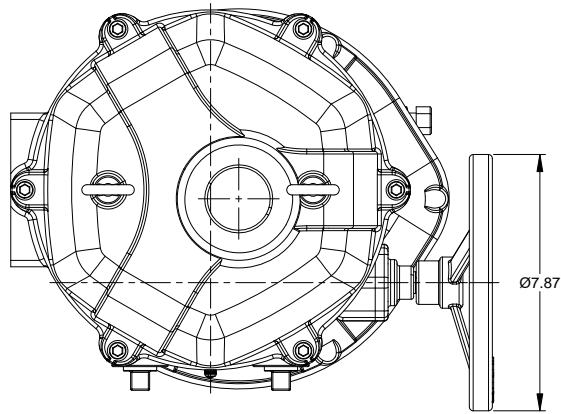
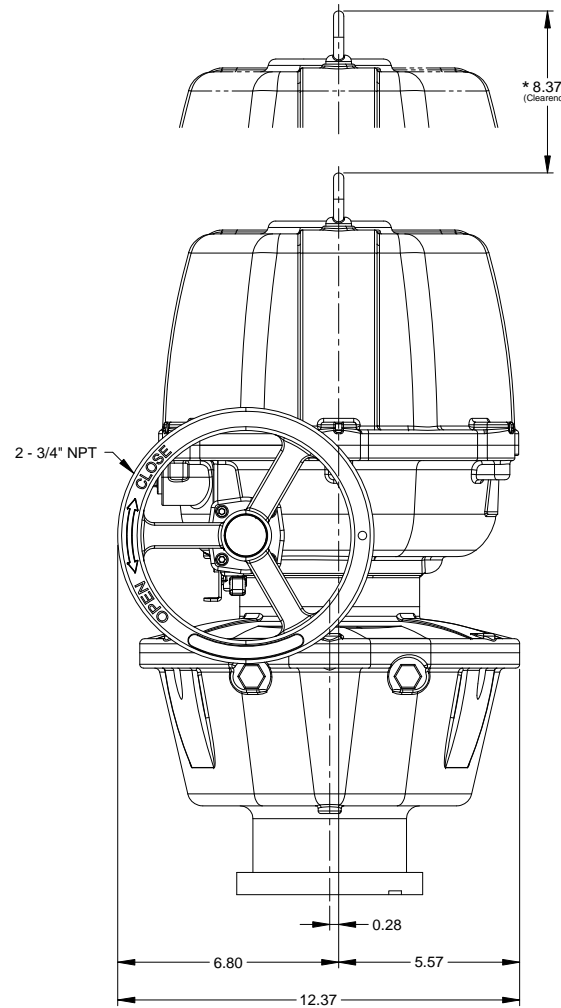
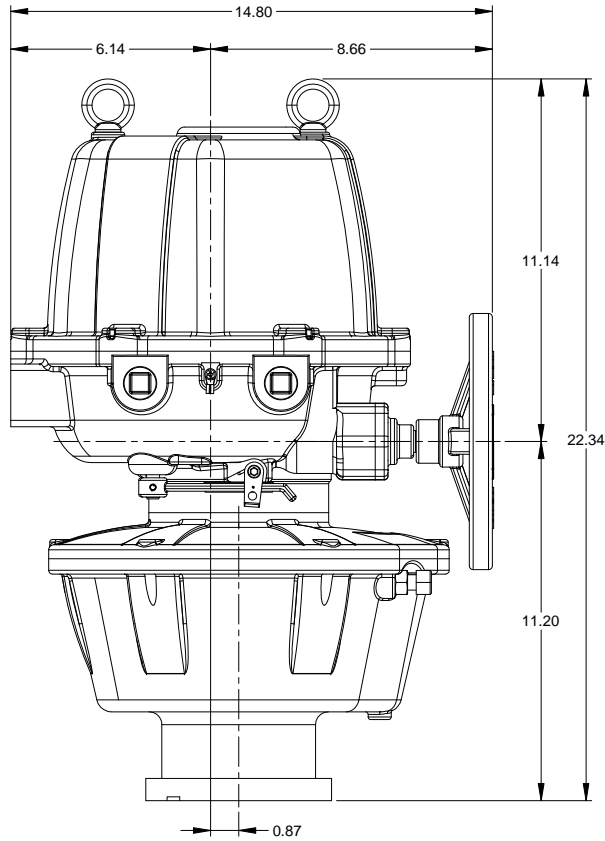


| Technical Data | | | |
|----------------|-----------------|------------------------|-----------------|
| Model | Handwheel Turns | Output Torque (lbf-in) | Actuator Weight |
| ABZ E860SR | 25 | 860 | 88 lbs |



Mounting Base



- Notes:
1. ABZ Hazardous Location Enclosure II 2G Ex d IIB T4 Gb
 - *2. Minimum clearance required to remove cover for maintenance.

| | | | | |
|---|----------------|--|--|-------------|
| FORUM ENERGY TECHNOLOGIES | | Valve Solutions ABZ Valves & Controls | | |
| Title: Spring Return Electric Series Actuator | | | | Scale: 1:1 |
| ABZ E860SR | | | | Projection: |
| DWG No. | ABZ E860SR EXP | | | Unit: Inch |
| Date: 12-14-15 | Drawn: BC | Checked: TH | Dimensions are subject to change without notice. | Revision: 0 |