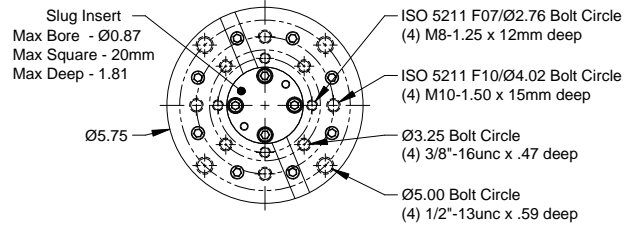
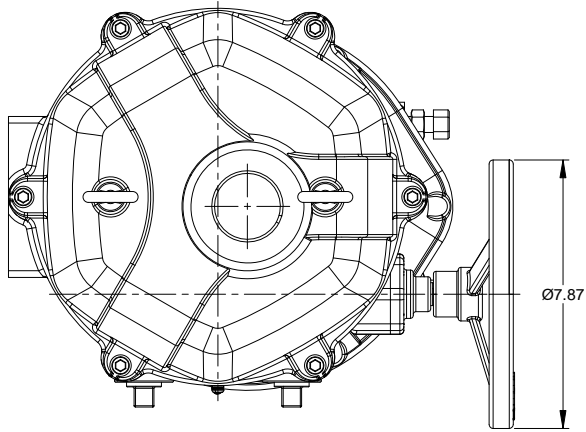
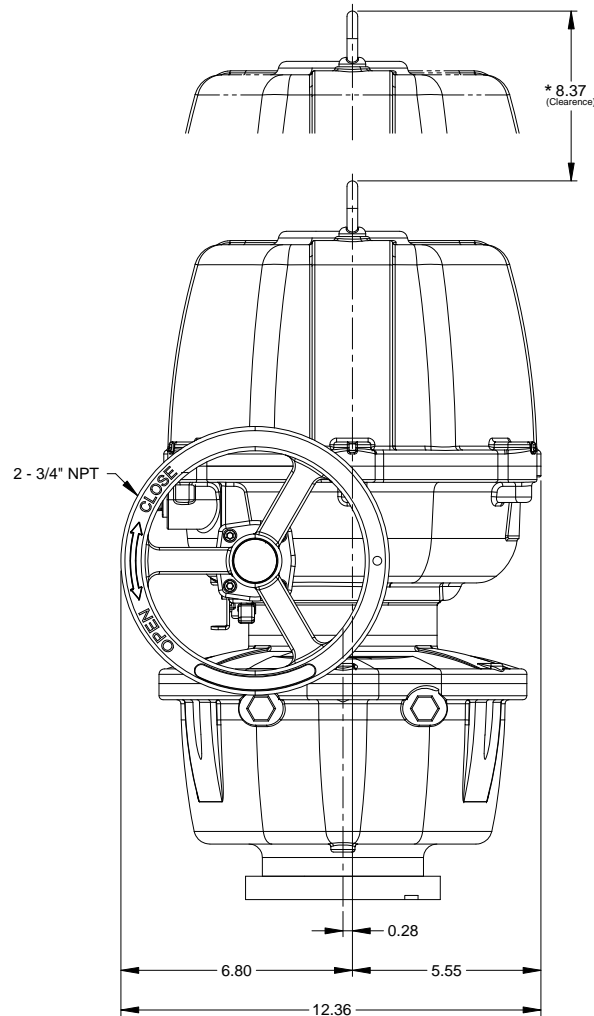
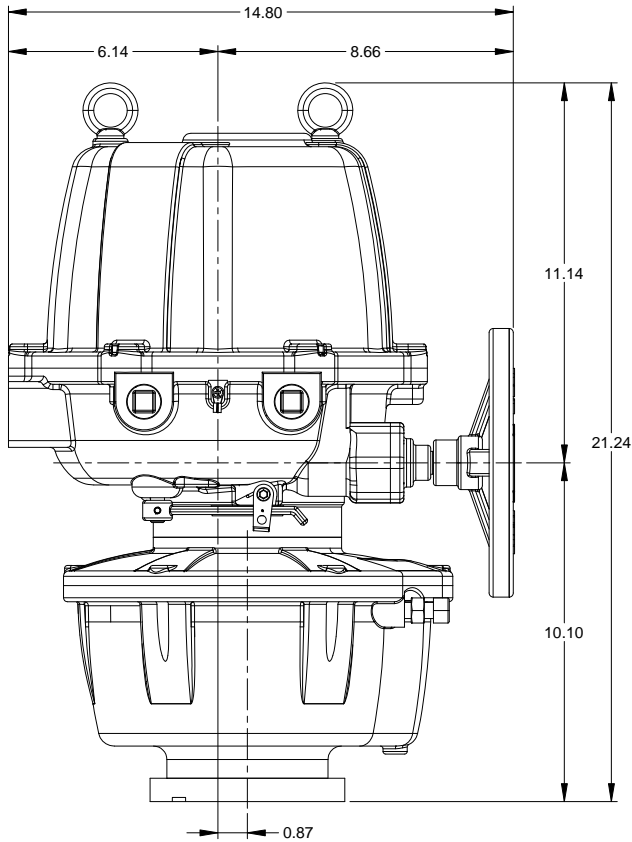


Technical Data			
Model	Handwheel Turns	Output Torque (lb-in)	Actuator Weight
ABZ E860SR	25	860	77 lbs



Mounting Base



Notes:

1. ABZ Standard Location Enclosure Type 4, 4X.
- * 2. Minimum clearance required to remove cover for maintenance.



Valve Solutions
ABZ Valves & Controls



Title: **Spring Return Electric Series Actuator**
ABZ E860SR

Scale: **1:1**
Projection:

DWG No. **ABZ E860SR Standard**

Unit: **Inch**

Date	Drawn	Checked	Dimensions are subject to change without notice.
12-14-15	BC	TH	

Revision: **0**