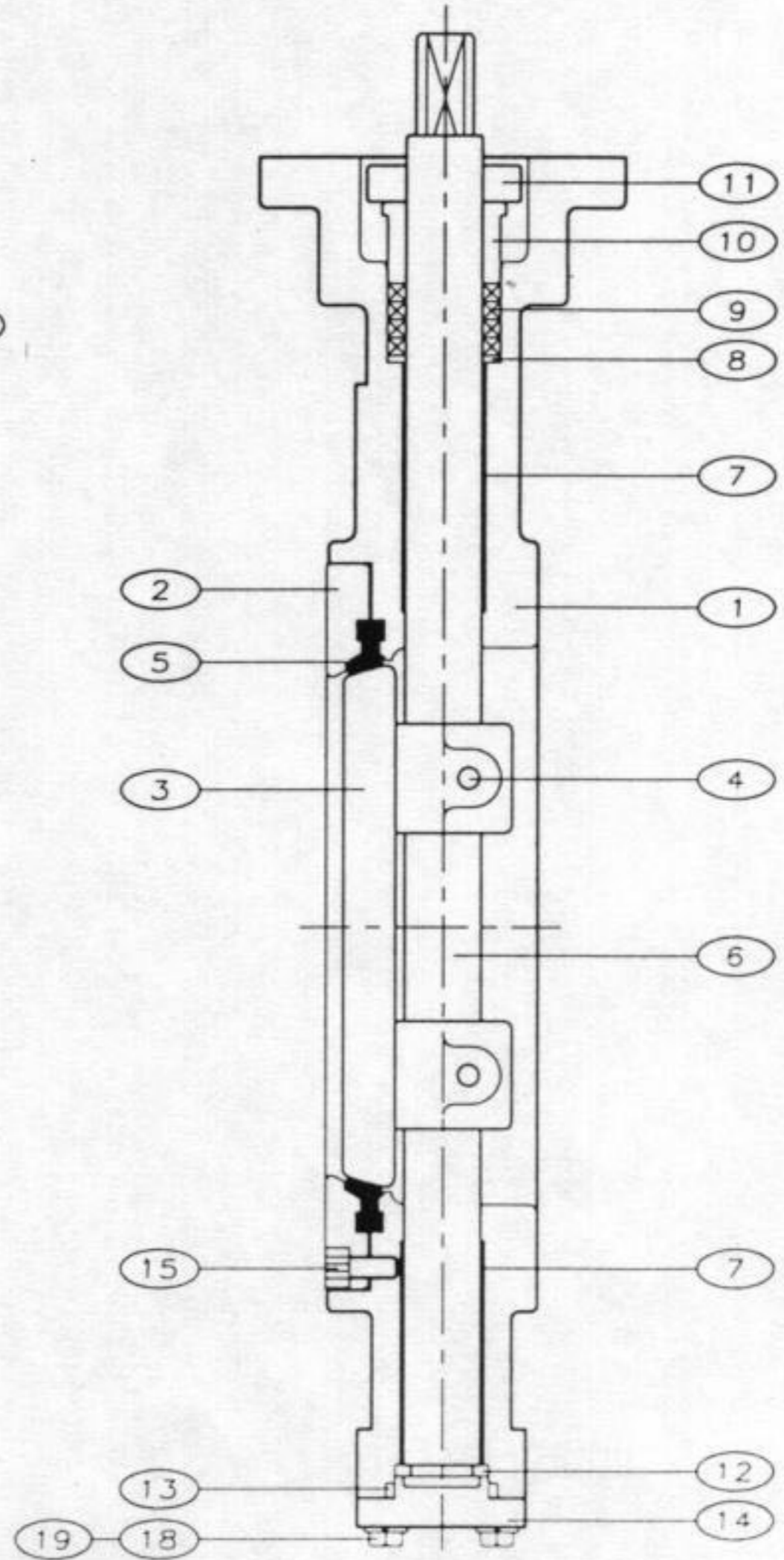
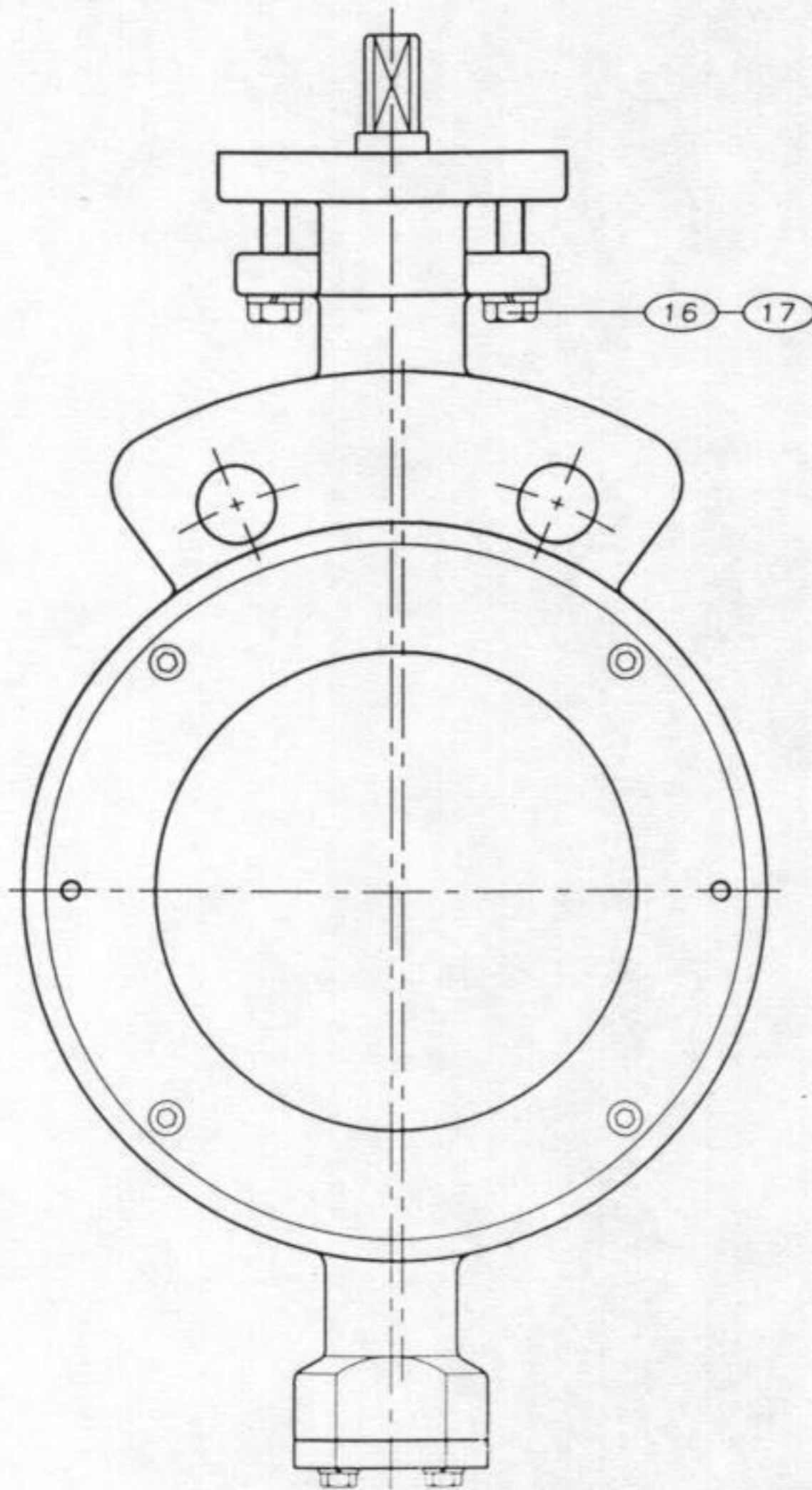


HIGH PERFORMANCE PARTS LIST (STANDARD) ABZOLUTE SEAL 400 SERIES

MATERIAL ACCORDING TO ASTM					
NO.	PART NAME	MATERIAL			QTY
1	Body	A 216 Gr. WCB	A351 Gr. CF8	A351 Gr. CF8M	1
2	Seat Retainer	AISI 1045	A240 Tp 304	A240 Tp 316	1
3	Disc	A351 Gr CF 8 A351Gr CF 8M			1
4	Disc Pin	A276 Tp 316			1 Set
5	Soft Seat	PTFE RTFE			1
	Metal Seat	A240 Tp 304 A240 Tp 316 INCONEL			1
	Fire-Safe Seat	A240 Tp 304 & PTFE A240 Tp 304 & RTFE A240 Tp 316 & PTFE A240 Tp 316 & RTFE INCONEL & PTFE INCONEL & RTFE			1 Set
6	Stem	A276 Tp 304 A276 Tp 316 A564 Gr. 630			1
7	Stem Bushing	A240 Tp 316 & RTFE A240 Tp 316 & Graphite			2
8	Packing Retainer	A276			1
9	Packing Stack	Graphite PTFE			1 Set
10	Packing Gland	A276 Tp 304			1
11	Gland Flange	A240 Tp 304			1
12	Retainer Ring	A276 Tp 304			1
13	Cap Packing	Graphite			1
		PTFE			
14	Cap	A576 Gr 1045	A276 Tp 304	A276 Tp 316	1
15	Retainer Bolt	A193 Gr B8		A193 Gr B8M	1 Set
16	Gland Bolt	A193 Gr B8			1 Set
17	Spring Washer	A167 Tp 304			1 Set
18	Cap Bolt	A193 Gr B8		A193 Gr B8M	1
19	Spring Washer	A167 Tp 304		A167 Tp 316	1 Set
20	Key	AISI 1045			1

HIGH PERFORMANCE BUTTERFLY VALVE PARTS



HIGH PERFORMANCE BUTTERFLY VALVE PARTS

