

Quadrant™ Series 12CS & SS

Unibody Ball Valves



Features

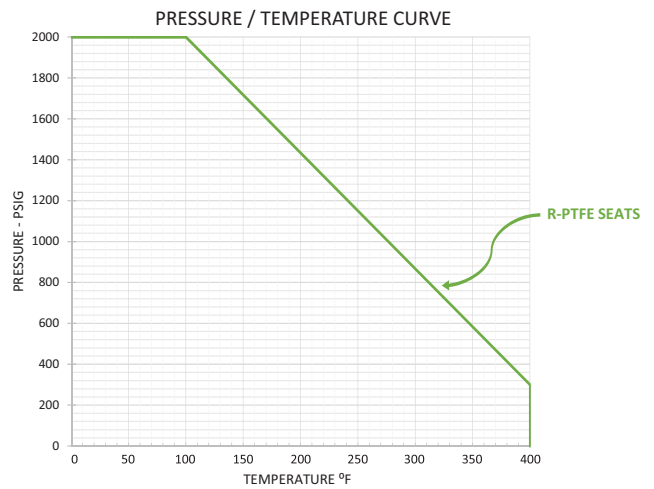
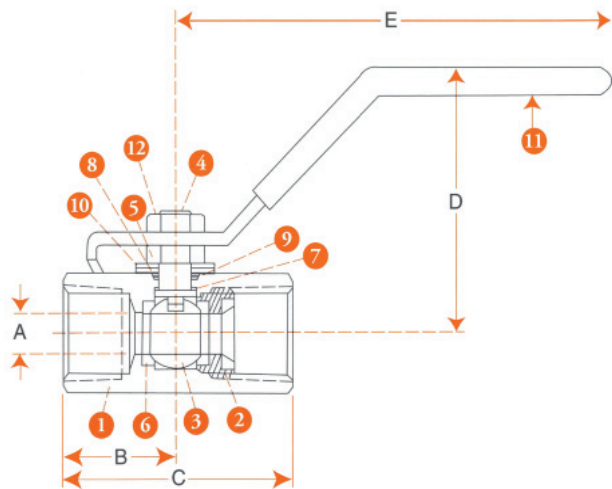
- Investment Cast CF8M Stainless or WCB Carbon Steel Bodies
- 2000 WOG - All Sizes
- All Models are NACE Compliant
- All Models are API 607 Fire Safe
- Standard Latch-Lock Handles
- Standard 316SS Ball & Stem
- 250 PSI Saturated Steam Rating
- API 641 Certified

RATINGS

2000 PSIG @100F Water, Oil, Gas
All Sizes ... 250 PSIG Saturated Steam

Materials of Construction

PART	DESCRIPTION	12-CS	12-SS
1	Body	ASTM A216 WCB	ASTM A351 Gr. CF8M
2	Tailpiece	AISI 1017 CS	ASTM A276 Gr. 316SS
3	Ball	ASTM A276 Gr. 316SS	ASTM A276 Gr. 316SS
4	Stem	ASTM A276 Gr. 316SS	ASTM A276 Gr. 316SS
5	Packing Nut	ASTM A276 Gr. 316SS	ASTM A276 Gr. 316SS
6	Seats (2)	R-PTFE	R-PTFE
7	Packing	Graphite	Graphite
8	Thrust Washer	R-PTFE	R-PTFE
9	Handle Nut	Carbon Steel - Plated	304 Stainless Steel
10	Handle Assy	Carbon Steel - Plated	304 Stainless Steel



Dimensions, Weights, CV Factors & Maximum Operating Torque

SIZE	A	B	C	D	E	WEIGHT LBS.	CV	MAX. TORQUE
1/4-3/8"	0.31	1.08	2.28	1.91	4.29	0.7	4.0	60 IN-LB
1/2"	0.31	1.22	2.60	1.91	4.29	0.7	4.0	60 IN-LB
3/4"	0.47	1.36	2.83	2.15	4.29	1.0	8.0	75 IN-LB
1"	0.62	1.61	3.23	2.55	5.83	1.6	14.0	150 IN-LB
1-1/4"	0.81	1.79	3.54	2.70	5.83	2.3	19.0	180 IN-LB
1-1/2"	1.00	1.95	3.86	3.45	7.36	3.3	33.0	300 IN-LB
2"	1.25	2.22	4.33	3.63	7.36	4.7	51.0	400 IN-LB

Numbering System ... How to Order

<u>12</u>	<u>D</u>	<u>S</u>	<u>S</u>	<u>R</u>	<u>G</u>	<u>SL</u>	<u>TT</u>	<u>100</u>
SERIES	PORT SIZE	BODY MATERIAL	BALL/STEM MATERIAL	SEAT MATERIAL	SEAL MATERIAL	HANDLE TYPE	ENDS	SIZE
12 = Unibody Investment Cast	D = Double Reduced Port	C = A216 Grade WCB S = A351 Grade CF8M	S = 316 Stainless	R = R-PTFE	F = Graphite	LL = CS Latch Lock SL = Stainless Latch Lock LO = Locking Stainless Oval ST = 304SS Tee Handle	TT = FNPT	025 = 1/4" 038 = 3/8" 050 = 1/2" 075 = 3/4" 100 = 1" 125 = 1-1/4" 150 = 1-1/2" 200 = 2"