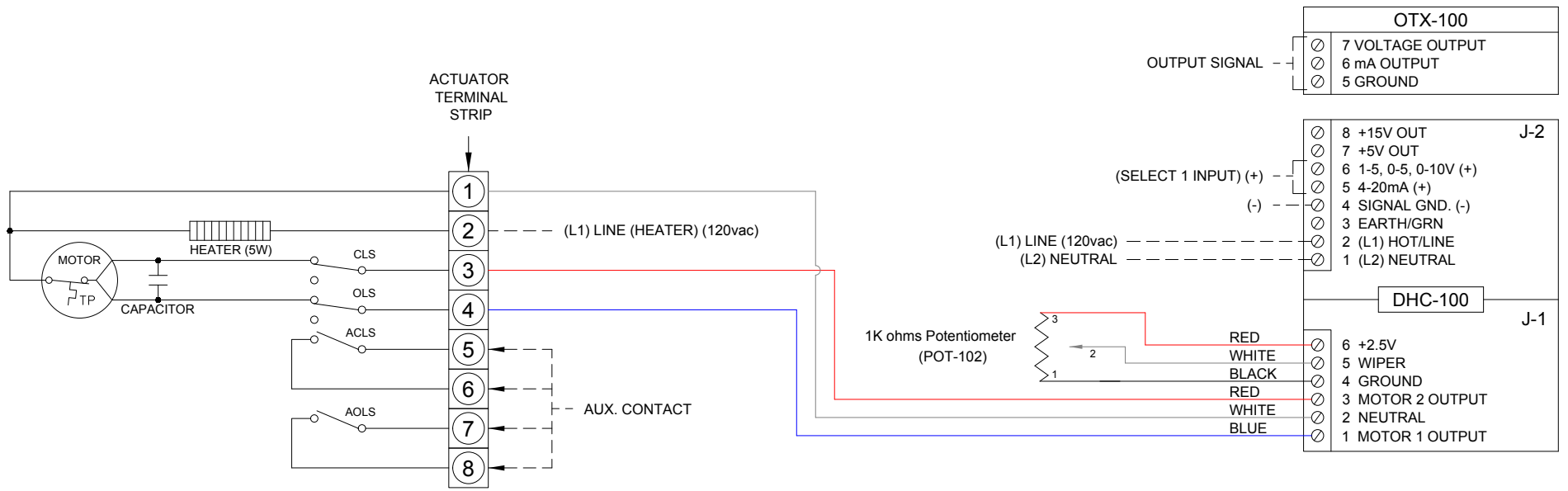
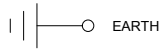


	CLOSE	OPEN
CLS		
OLS		
ACLS		
AOLS		

CLS: CLOSE LIMIT SWITCH (250VAC, 3A MAX)
 OLS: OPEN LIMIT SWITCH (250VAC, 3A MAX)
 ACLS: AUX. CLOSE LIMIT SWITCH (250VAC, 3A MAX)
 AOLS: AUX. OPEN LIMIT SWITCH (250VAC, 3A MAX)
 TP: THERMAL PROTECTOR



--- DENOTES CUSTOMER SUPPLIED ITEM
 --- ACTUATOR SHOWN IN MID POSITION.

FORUM ENERGY TECHNOLOGIES Valve Solutions
 ABZ Valves & Controls

Title: **Wiring Diagram**

Parts:
 ABZ 005 thru ABZ 009 Compact Electric Actuator
 120 VAC Single Phase (Modulating Service)
 DHC-100 Digital High Resolution Controller
 OTX-100 Feedback Transmitter

DWG No.	Date	Drawn	Checked	Approved	Revision
WC0509-A2A-G-X	08-30-12	BC	TP	TH	0