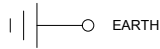
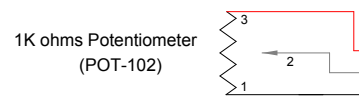
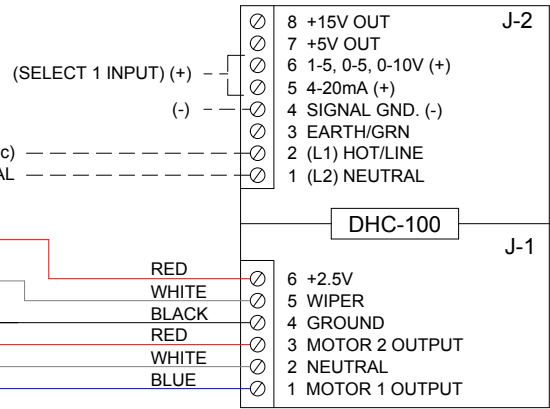
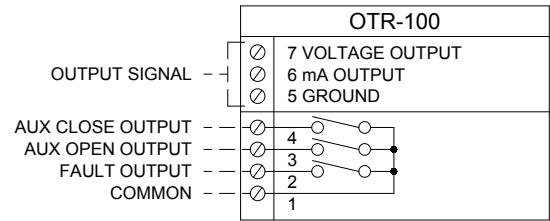
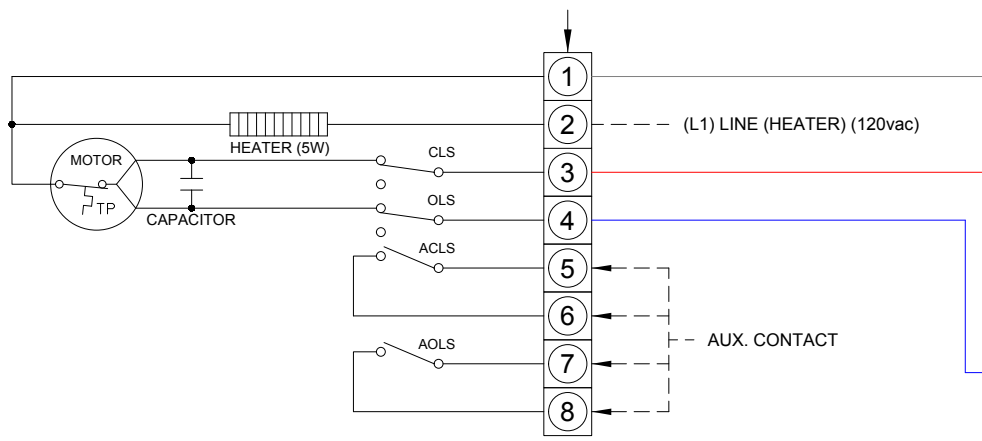


	CLOSE	OPEN
CLS		
OLS		
ACLS		
AOLS		

CLS: CLOSE LIMIT SWITCH (250VAC, 3A MAX)  
 OLS: OPEN LIMIT SWITCH (250VAC, 3A MAX)  
 ACLS: AUX. CLOSE LIMIT SWITCH (250VAC, 3A MAX)  
 AOLS: AUX. OPEN LIMIT SWITCH (250VAC, 3A MAX)  
 TP: THERMAL PROTECTOR



ACTUATOR  
TERMINAL  
STRIP



----- DENOTES CUSTOMER SUPPLIED ITEM  
 ACTUATOR SHOWN IN MID POSITION.

**FORUM** Valve Solutions  
 ENERGY TECHNOLOGIES ABZ Valves & Controls

Title: **Wiring Diagram**  
 Parts:  
 ABZ 005 thru ABZ 009 Compact Electric Actuator  
 120 VAC Single Phase (Modulating Service)  
 DHC-100 Digital High Resolution Controller  
 OTR-100 Feedback Transmitter / Relay Output

DWG No.	Date	Drawn	Checked	Approved	Revision
WC0509-A2A-J-X	08-30-12	BC	TP	TH	0