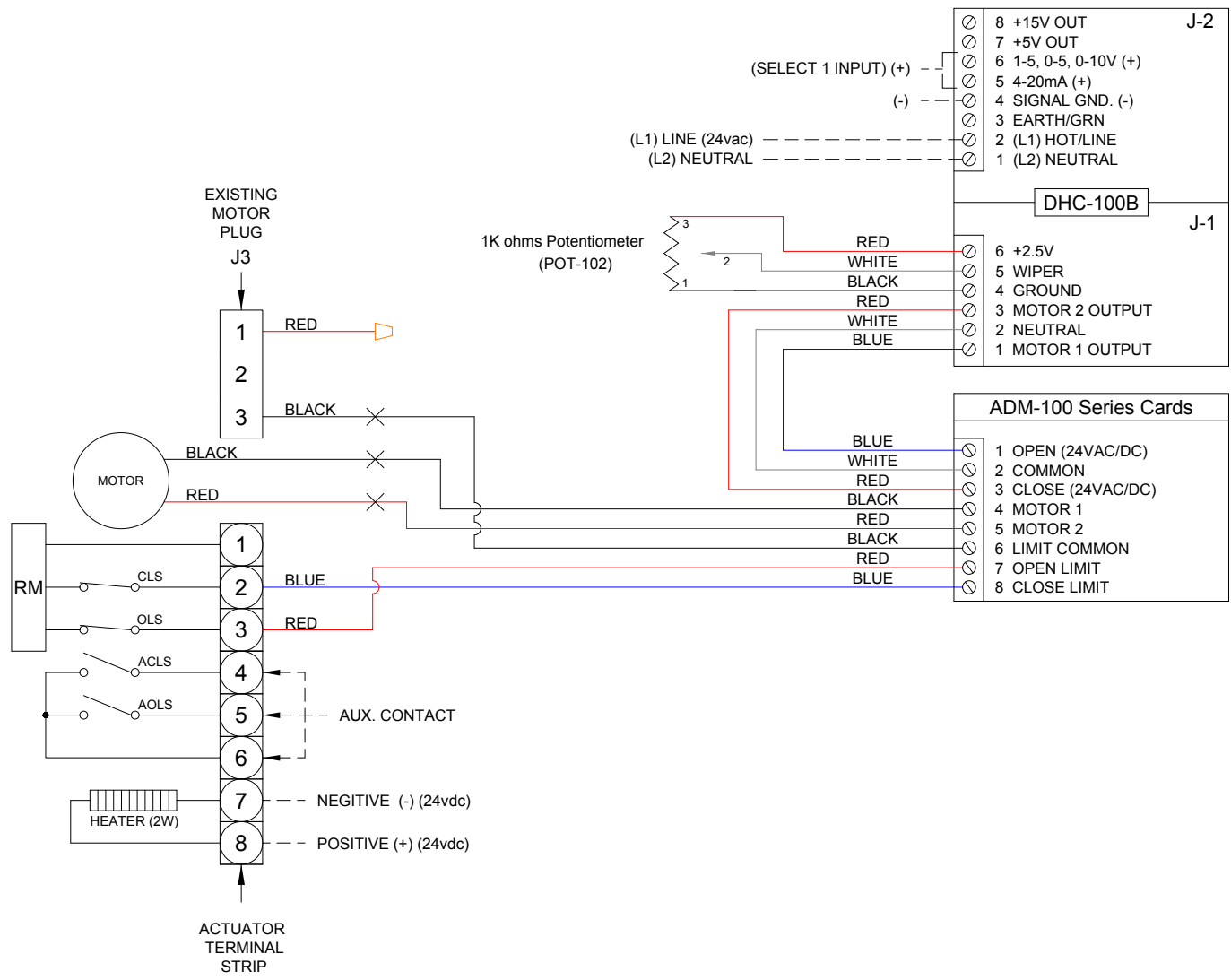


	CLOSE	OPEN
CLS		
OLS		
ACLS		
AOLS		

CLS: CLOSE LIMIT SWITCH (250VAC, 3A)
 OLS: OPEN LIMIT SWITCH (250VAC, 3A)
 ACLS: AUX. CLOSE LIMIT SWITCH (250VAC, 3A)
 AOLS: AUX. OPEN LIMIT SWITCH (250VAC, 3A)



DENOTES CUSTOMER SUPPLIED ITEM -----
 BUTT CONNECTOR X
 CAP □

NOTE:
 INSTALL JUMPER PLUGS ON J5 & J6

FORUM ENERGY TECHNOLOGIES Valve Solutions ABZ Valves & Controls

Title: **Wiring Diagram**

Parts:
 ABZ 005 & 009 Electric Actuator
 24 VAC (Modulating Service)
 DHC-100B Servo Board
 ADM-100 24V AC to DC Motor Converter Module

DWG No.	Date	Drawn	Checked	Approved	Revision
WC0509-C2C-X	01-31-13	BC	TP	TH	0