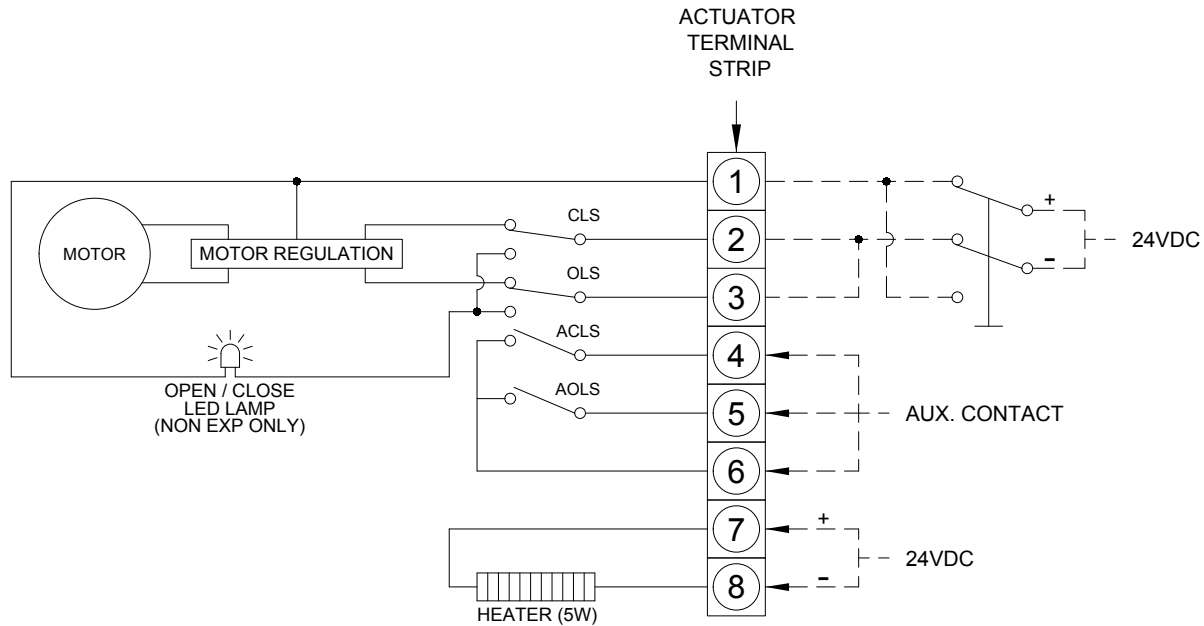
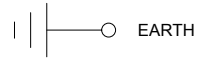


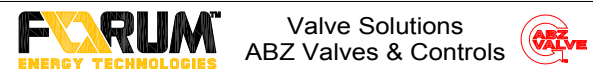
	CLOSE	OPEN
CLS		
OLS		
ACLS		
AOLS		

CLS: CLOSE LIMIT SWITCH (250VAC, 3A MAX)  
 OLS: OPEN LIMIT SWITCH (250VAC, 3A MAX)  
 ACLS: AUX. CLOSE LIMIT SWITCH (250VAC, 3A MAX)  
 AOLS: AUX. OPEN LIMIT SWITCH (250VAC, 3A MAX)



DENOTES CUSTOMER  
 SUPPLIED ITEM

ACTUATOR SHOWN IN MID POSITION.



Title: <b>Wiring Diagram</b>					
Parts: ABZ 005 thru ABZ 009 Compact Electric Actuator 24 VDC Single Phase (ON / OFF)					
DWG No. WC0509-D1A-X	Date 08-23-12	Drawn BC	Checked TP	Approved TH	Revision 0