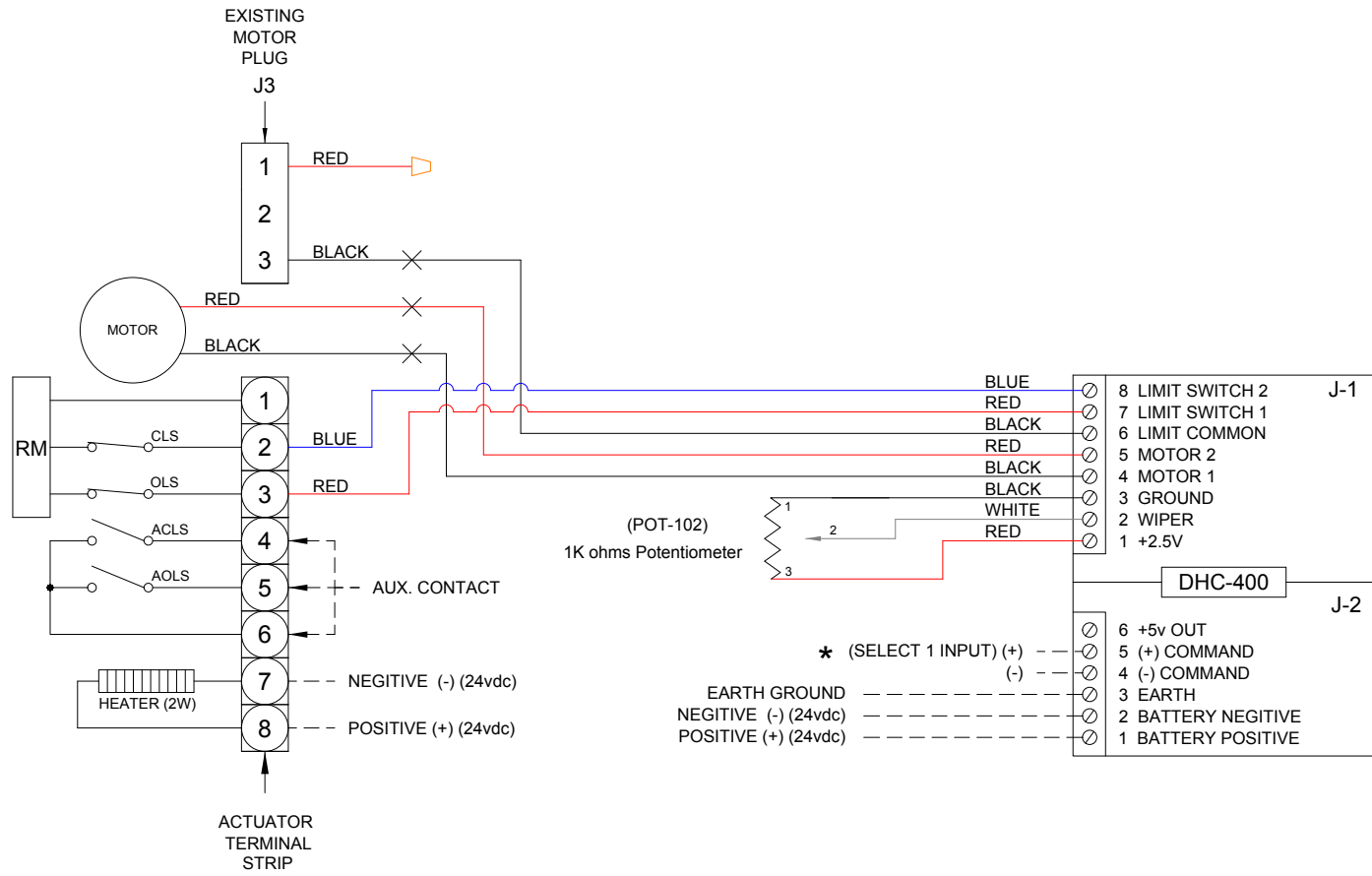


	CLOSE	OPEN
CLS		
OLS		
ACLS		
AOLS		

CLS: CLOSE LIMIT SWITCH (250VAC, 3A)
 OLS: OPEN LIMIT SWITCH (250VAC, 3A)
 ACLS: AUX. CLOSE LIMIT SWITCH (250VAC, 3A)
 AOLS: AUX. OPEN LIMIT SWITCH (250VAC, 3A)



DENOTES CUSTOMER SUPPLIED ITEM -----
 BUTT CONNECTOR X
 CAP □

NOTE:
 INSTALL JUMPER PLUGS ON J5 & J6
 * SELECT 1 INPUT
 4-20ma
 1-5VDC
 0-5VDC
 0-10VDC
 2-10VDC

FORUM Valve Solutions
ENERGY TECHNOLOGIES ABZ Valves & Controls

Title: **Wiring Diagram**

Parts: ABZ 005 & 009 Electric Actuator
 24 VDC (Modulating Service)
 DHC-400 Servo Board

DWG No.	Date	Drawn	Checked	Approved	Revision
WC0509-D2H-X	05-31-12	BC	TP	TH	0