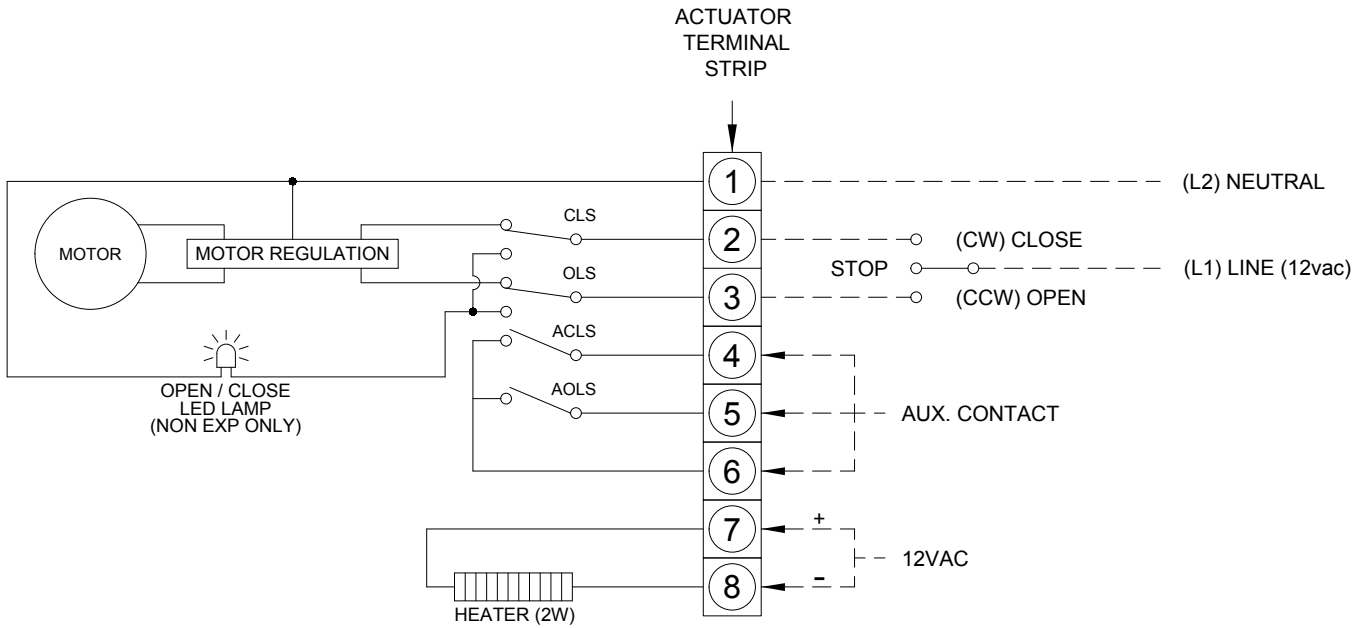
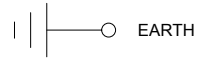
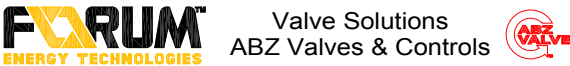


	CLOSE	OPEN
CLS		
OLS		
ACLS		
AOLS		

CLS: CLOSE LIMIT SWITCH (250VAC, 3A MAX)
 OLS: OPEN LIMIT SWITCH (250VAC, 3A MAX)
 ACLS: AUX. CLOSE LIMIT SWITCH (250VAC, 3A MAX)
 AOLS: AUX. OPEN LIMIT SWITCH (250VAC, 3A MAX)



DENOTES CUSTOMER SUPPLIED ITEM -----
 ACTUATOR SHOWN IN MID POSITION.



Title: **Wiring Diagram**

Parts: ABZ 005 thru ABZ 009 Compact Electric Actuator
 12 VAC Single Phase
 (ON / OFF)

DWG No.	Date	Drawn	Checked	Approved	Revision
WC0509-E1A-X	08-23-12	BC	TP	TH	0