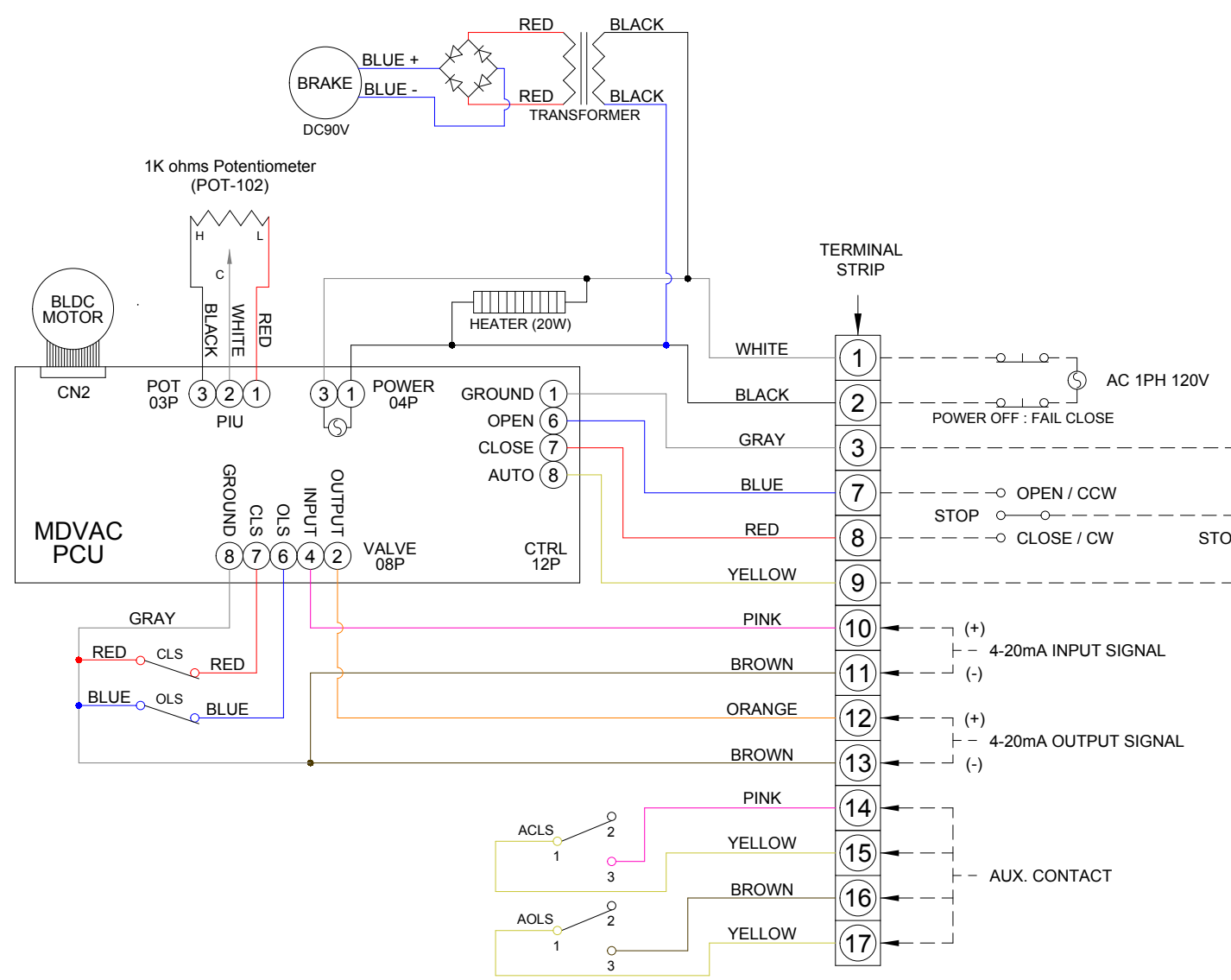


	CLOSE	OPEN
CLS 1-2		
OLS 1-2		
ACLS 1-3		
AOLS 1-3		

CLS: CLOSE LIMIT SWITCH (250VAC, 15A MAX)
 OLS: OPEN LIMIT SWITCH (250VAC, 15A MAX)
 ACLS: AUX. CLOSE LIMIT SWITCH (250VAC, 15A MAX)
 AOLS: AUX. OPEN LIMIT SWITCH (250VAC, 15A MAX)



DENOTES CUSTOMER SUPPLIED ITEM -----
 ACTUATOR SHOWN IN MID POSITION.

FORUM ENERGY TECHNOLOGIES Valve Solutions
 ABZ Valves & Controls

Title: **Wiring Diagram**

Parts:
 ABZ SR20 Electric Spring Return Actuator
 120 VAC Single Phase
 (ON / OFF) / (Modulating Service)

DWG No.	Date	Drawn	Checked	Approved	Revision
WESRH20-A3A-AX-CW-X	10-31-12	BC	TP	TH	0