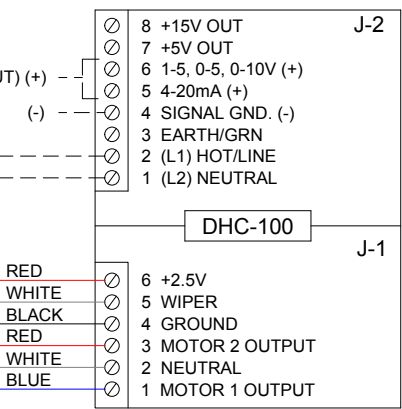
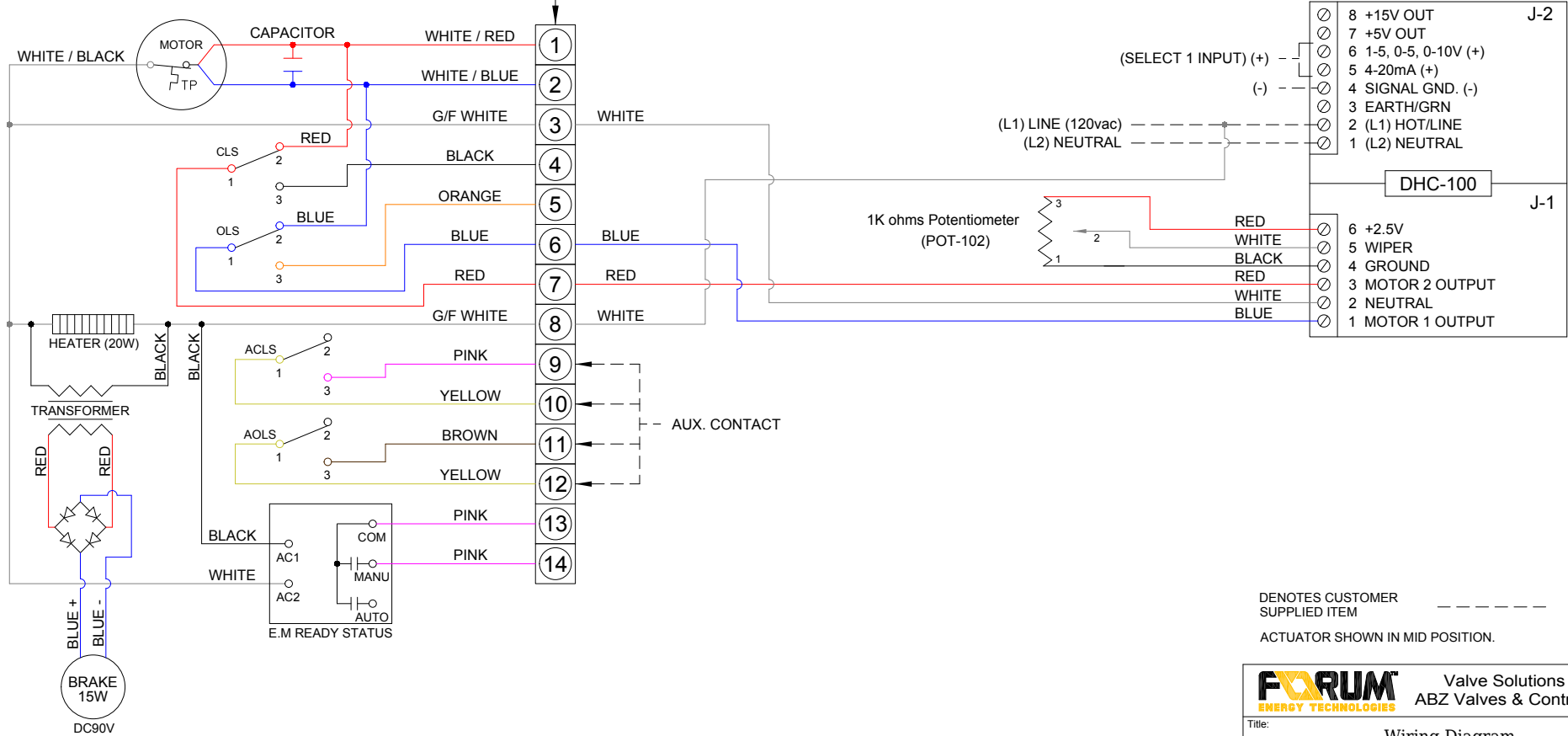


	CLOSE	OPEN
CLS 1-2		
CLS 1-3		
OLS 1-2		
OLS 1-3		
ACLS 1-2		
ACLS 1-3		
AOLS 1-2		
AOLS 1-3		

CLS: CLOSE LIMIT SWITCH (250VAC, 6A MAX)
 OLS: OPEN LIMIT SWITCH (250VAC, 6A MAX)
 ACLS: AUX. CLOSE LIMIT SWITCH (250VAC, 6A MAX)
 AOLS: AUX. OPEN LIMIT SWITCH (250VAC, 6A MAX)
 TP: THERMAL PROTECTOR (250VAC, 15A MAX)

ACTUATOR
 TERMINAL
 STRIP



--- DENOTES CUSTOMER SUPPLIED ITEM ---
 ACTUATOR SHOWN IN MID POSITION.

FORUM ENERGY TECHNOLOGIES Valve Solutions
 ABZ Valves & Controls

Title: **Wiring Diagram**

Parts:
 ABZ ESR430 thru ABZ ESR2600 Electric Actuator
 120 VAC Single Phase (Modulating Service)
 Auxiliary Limit Switches
 DHC-100 Digital High Resolution Controller

DWG No.	Date	Drawn	Checked	Approved	Revision
WESRVA000-A2A-AX-CW-X	02-25-13	BC	TP	TH	0