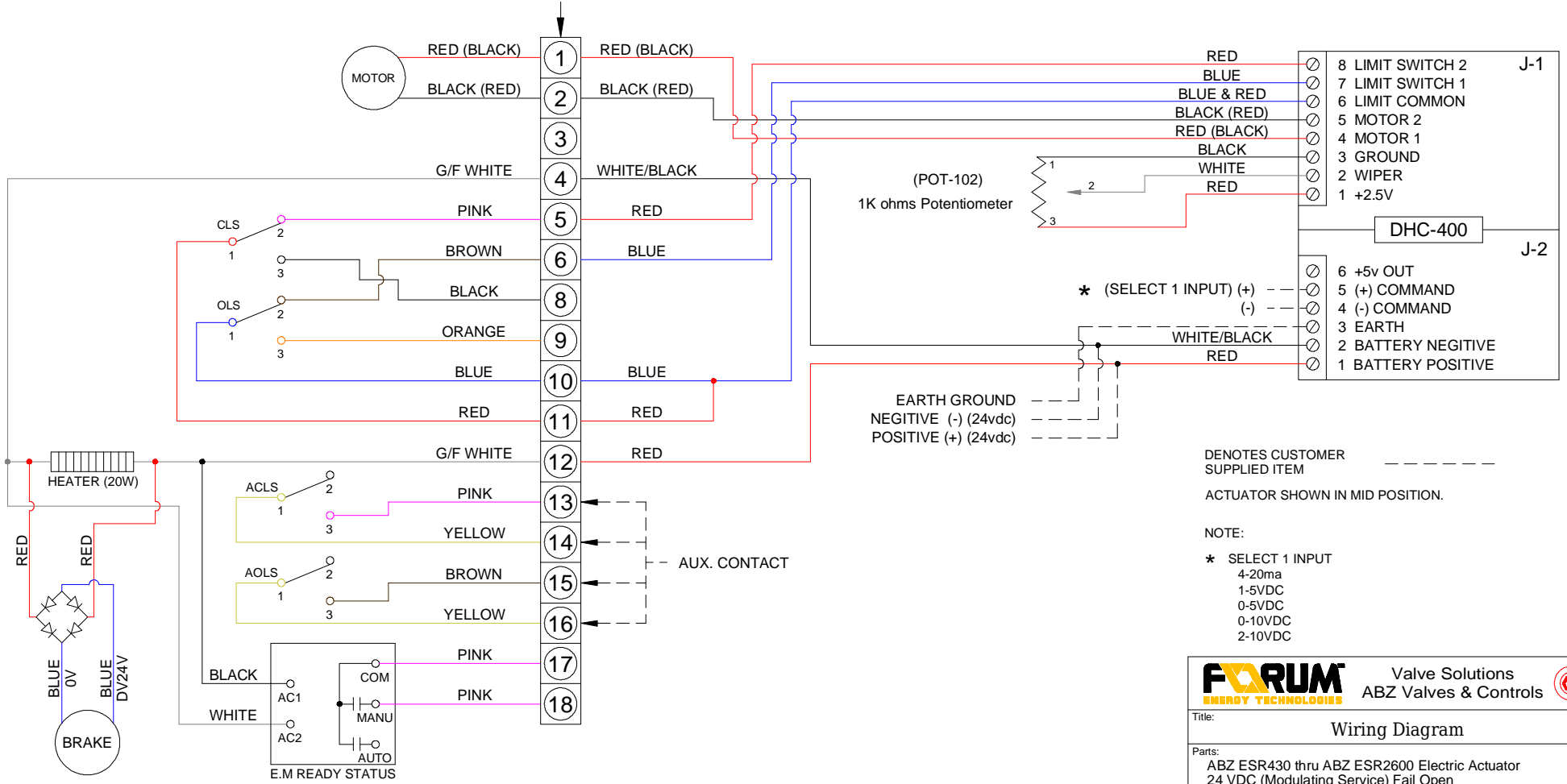


	CLOSE	OPEN
CLS 1-2		
CLS 1-3		
OLS 1-2		
OLS 1-3		
ACLS 1-2		
ACLS 1-3		
AOLS 1-2		
AOLS 1-3		

CLS: CLOSE LIMIT SWITCH (250VAC, 6A MAX)
 OLS: OPEN LIMIT SWITCH (250VAC, 6A MAX)
 ACLS: AUX. CLOSE LIMIT SWITCH (250VAC, 6A MAX)
 AOLS: AUX. OPEN LIMIT SWITCH (250VAC, 6A MAX)
 TP: THERMAL PROTECTOR (250VAC, 15A MAX)

ACTUATOR
 TERMINAL
 STRIP



DENOTES CUSTOMER SUPPLIED ITEM -----

ACTUATOR SHOWN IN MID POSITION.

NOTE:
 * SELECT 1 INPUT
 4-20ma
 1-5VDC
 0-5VDC
 0-10VDC
 2-10VDC

FORUM Valve Solutions
 ENERGY TECHNOLOGIES ABZ Valves & Controls

Title: **Wiring Diagram**

Parts:
 ABZ ESR430 thru ABZ ESR2600 Electric Actuator
 24 VDC (Modulating Service) Fail Open
 Auxillary Limit Switches
 DHC-400 Servo Board

DWG No.	Date	Drawn	Checked	Approved	Revision
WESRVA000-D2E-AX-CCW-X	03-13-13	BC	TP	TH	0