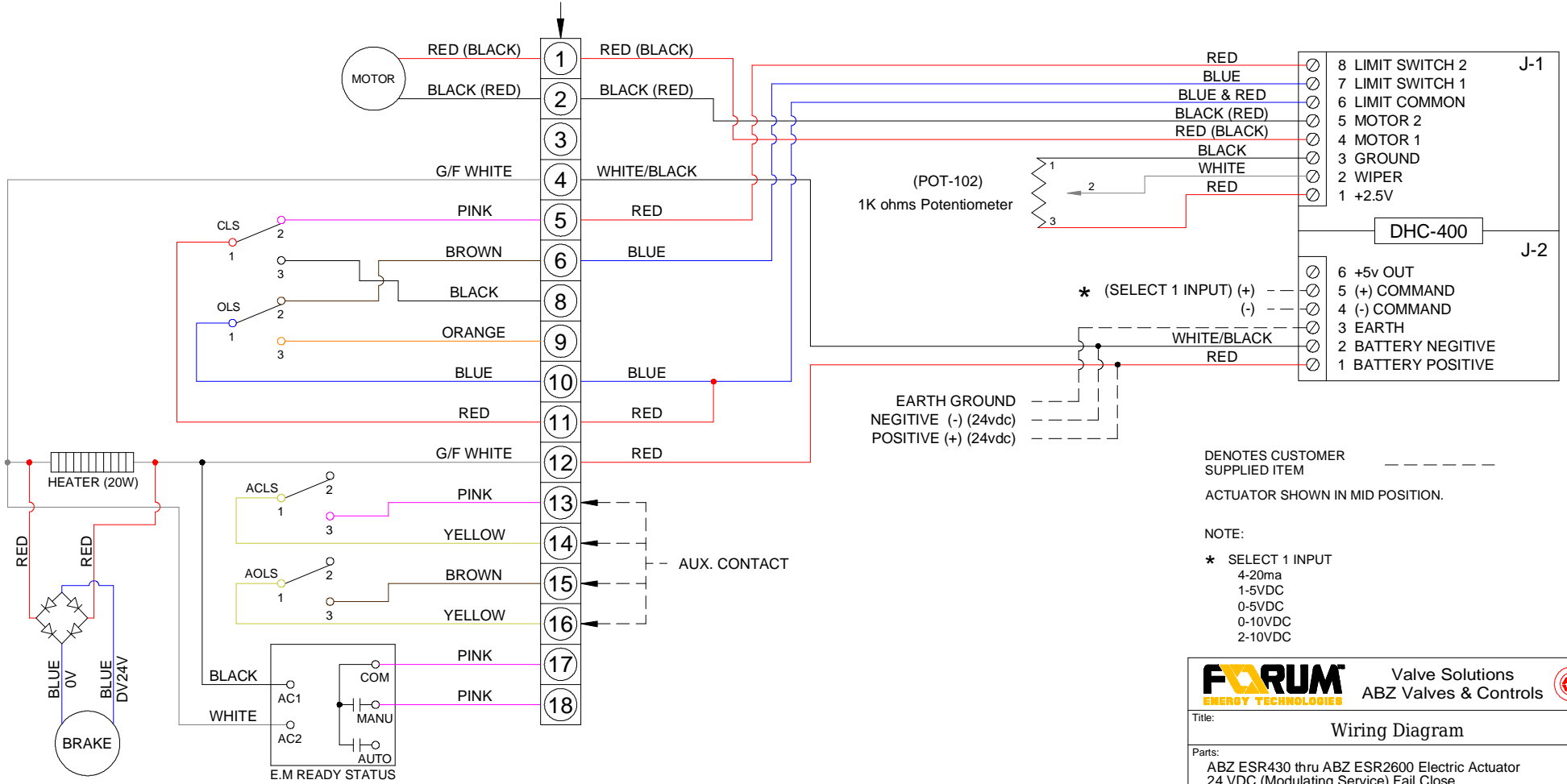


|          | CLOSE | OPEN |
|----------|-------|------|
| CLS 1-2  |       |      |
| CLS 1-3  |       |      |
| OLS 1-2  |       |      |
| OLS 1-3  |       |      |
| ACLS 1-2 |       |      |
| ACLS 1-3 |       |      |
| AOLS 1-2 |       |      |
| AOLS 1-3 |       |      |

CLS: CLOSE LIMIT SWITCH (250VAC, 6A MAX)  
 OLS: OPEN LIMIT SWITCH (250VAC, 6A MAX)  
 ACLS: AUX. CLOSE LIMIT SWITCH (250VAC, 6A MAX)  
 AOLS: AUX. OPEN LIMIT SWITCH (250VAC, 6A MAX)  
 TP: THERMAL PROTECTOR (250VAC, 15A MAX)

ACTUATOR  
 TERMINAL  
 STRIP



DENOTES CUSTOMER SUPPLIED ITEM -----  
 ACTUATOR SHOWN IN MID POSITION.

NOTE:  
 \* SELECT 1 INPUT  
 4-20ma  
 1-5VDC  
 0-5VDC  
 0-10VDC  
 2-10VDC

Valve Solutions  
 ABZ Valves & Controls

Title: **Wiring Diagram**

Parts:  
 ABZ ESR430 thru ABZ ESR2600 Electric Actuator  
 24 VDC (Modulating Service) Fail Close  
 Auxiliary Limit Switches  
 DHC-400 Servo Board

|                       |          |       |         |          |          |
|-----------------------|----------|-------|---------|----------|----------|
| DWG No.               | Date     | Drawn | Checked | Approved | Revision |
| WESRVA000-D2E-AX-CW-X | 03-13-13 | BC    | TP      | TH       | 0        |