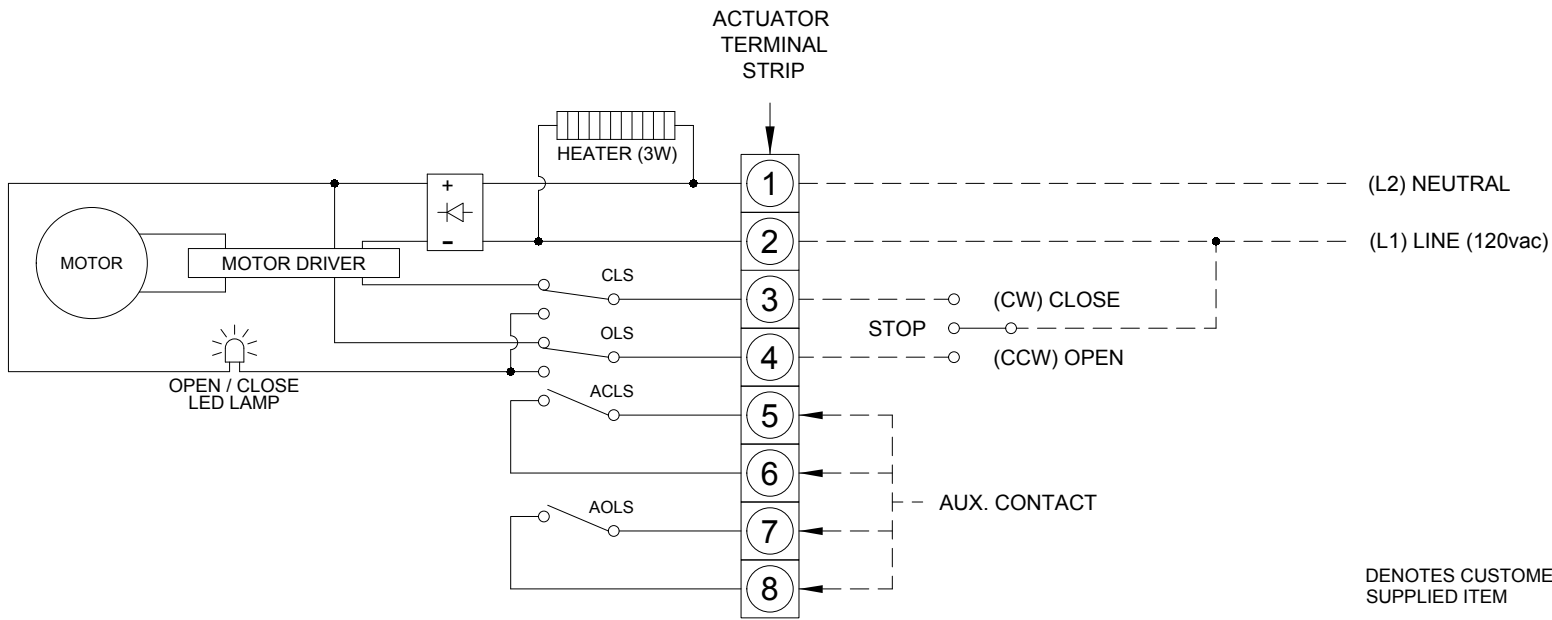
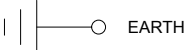


	CLOSE	OPEN
CLS		
OLS		
ACLS		
AOLS		

CLS: CLOSE LIMIT SWITCH (250VAC, 5A / 125VDC, 0.4A)
 OLS: OPEN LIMIT SWITCH (250VAC, 5A / 125VDC, 0.4A)
 ACLS: AUX. CLOSE LIMIT SWITCH (250VAC, 5A / 125VDC, 0.4A)
 AOLS: AUX. OPEN LIMIT SWITCH (250VAC, 5A / 125VDC, 0.4A)



DENOTES CUSTOMER SUPPLIED ITEM -----
 ACTUATOR SHOWN IN MID POSITION.

		Valve Solutions ABZ Valves & Controls			
Title: Wiring Diagram					
Parts: ABZ 003 Mini Electric Actuator 120 VAC Single Phase (ON / OFF)					
DWG No.	Date	Drawn	Checked	Approved	Revision
WM003-A1A-X	08-23-12	BC	TP	TH	0