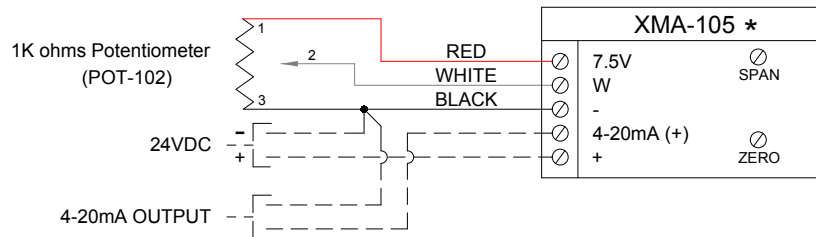
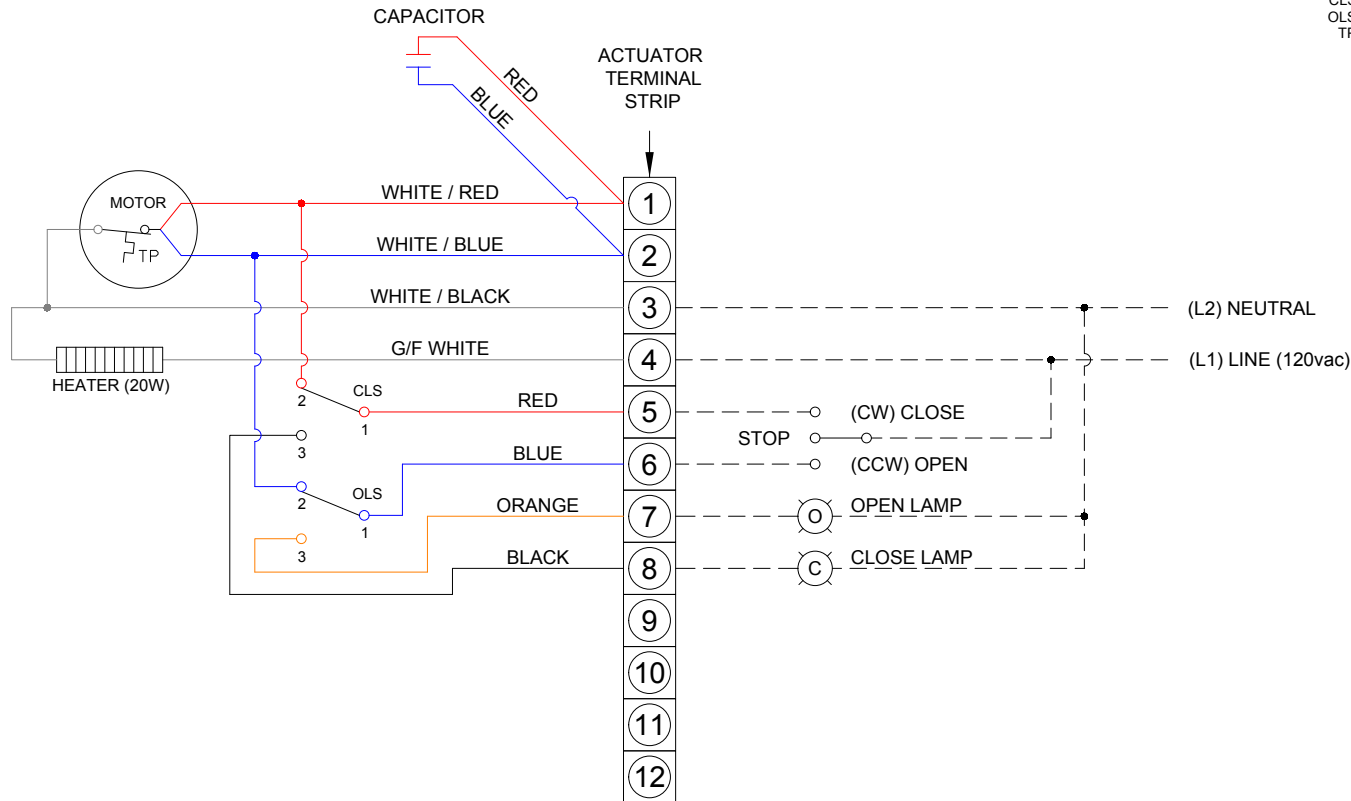


	CLOSE	OPEN
CLS 1-2		
CLS 1-3		
OLS 1-2		
OLS 1-3		

CLS: CLOSE LIMIT SWITCH (250VAC, 6A MAX)
 OLS: OPEN LIMIT SWITCH (250VAC, 6A MAX)
 TP: THERMAL PROTECTOR (250VAC, 6A MAX)



--- DENOTES CUSTOMER SUPPLIED ITEM
 * MAX LOAD RESISTANCE ON XMA-105 IS 300 OHMS

FORUM ENERGY TECHNOLOGIES Valve Solutions
 ABZ Valves & Controls

Title: Wiring Diagram

Parts: ABZ 006 thru ABZ 009 Electric Actuator
 120 VAC Single Phase
 ON/OFF
 XMA-105 Feedback Transmitter

DWG No.	Date	Drawn	Checked	Approved	Revision
WS0609-A1A-C-X	08-24-12	BC	TP	TH	0