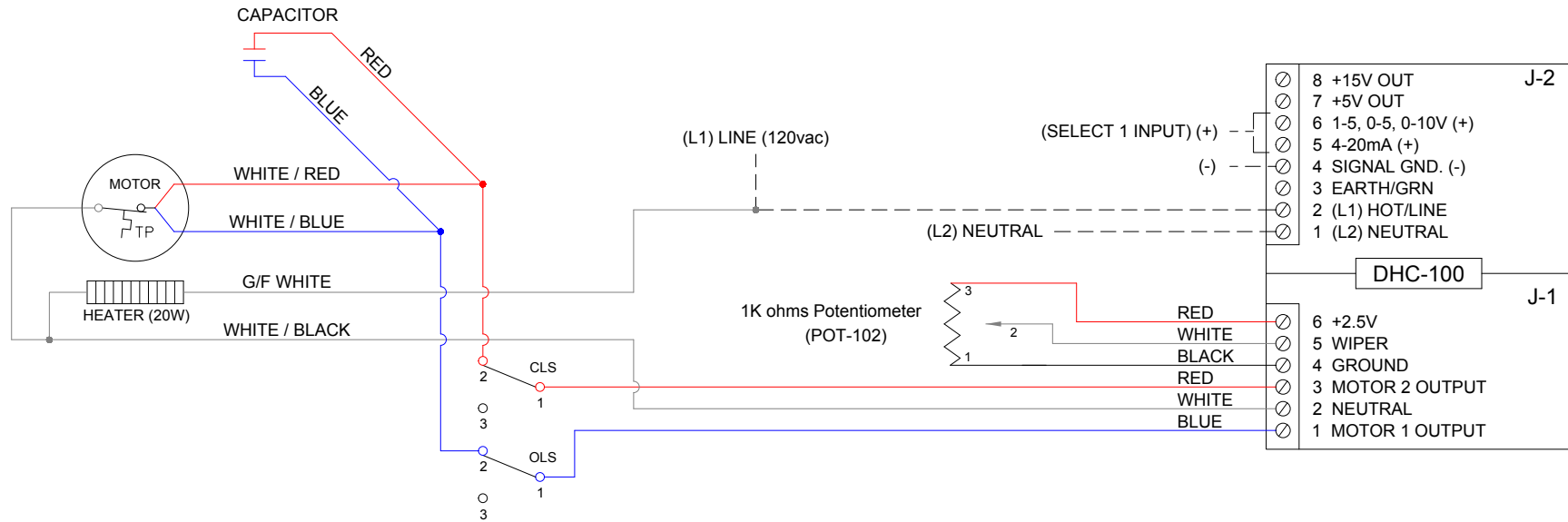
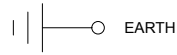


	CLOSE	OPEN
CLS 1-2		
CLS 1-3		
OLS 1-2		
OLS 1-3		

CLS: CLOSE LIMIT SWITCH (250VAC, 6A MAX)
 OLS: OPEN LIMIT SWITCH (250VAC, 6A MAX)
 TP: THERMAL PROTECTOR (250VAC, 6A MAX)



 DENOTES CUSTOMER SUPPLIED ITEM

ACTUATOR SHOWN IN MID POSITION.

FORUM ENERGY TECHNOLOGIES Valve Solutions ABZ Valves & Controls

Title: **Wiring Diagram**

Parts: ABZ 006 thru ABZ 009 Electric Actuator
 120 VAC Single Phase (Modulating Service)
 DHC-100 Digital High Resolution Controller

DWG No.	Date	Drawn	Checked	Approved	Revision
WS0609-A2A-X	06-06-12	BC	TP	TH	0