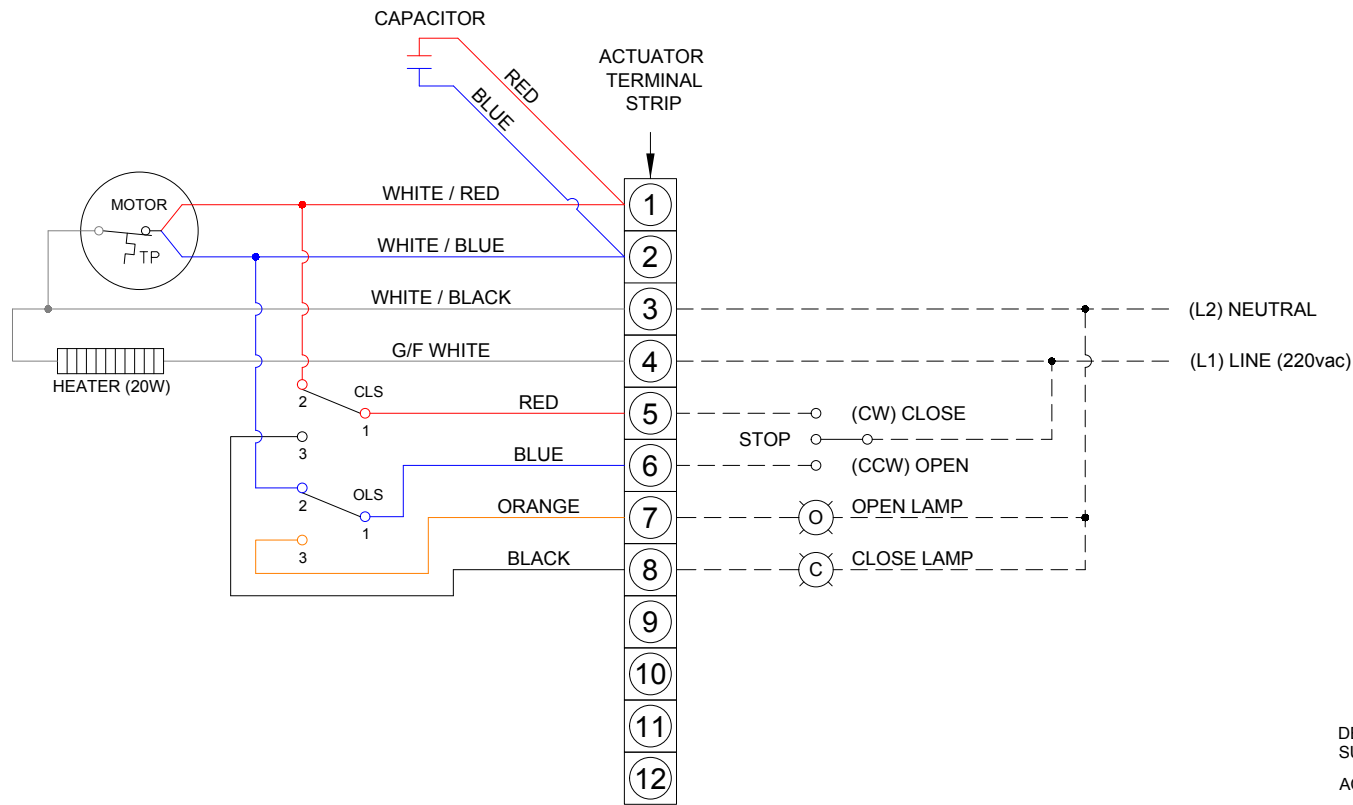
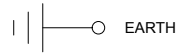


	CLOSE	OPEN
CLS 1-2		
CLS 1-3		
OLS 1-2		
OLS 1-3		

CLS: CLOSE LIMIT SWITCH (250VAC, 6A MAX)  
 OLS: OPEN LIMIT SWITCH (250VAC, 6A MAX)  
 TP: THERMAL PROTECTOR (250VAC, 6A MAX)



DENOTES CUSTOMER SUPPLIED ITEM

ACTUATOR SHOWN IN MID POSITION.

**FORUM** Valve Solutions  
 ENERGY TECHNOLOGIES ABZ Valves & Controls

Title: **Wiring Diagram**

Parts: ABZ 006 thru ABZ 009 Electric Actuator  
 220 VAC Single Phase  
 (ON / OFF)

DWG No.	Date	Drawn	Checked	Approved	Revision
WS0609-B1A-X	06-01-12	BC	TP	TH	0