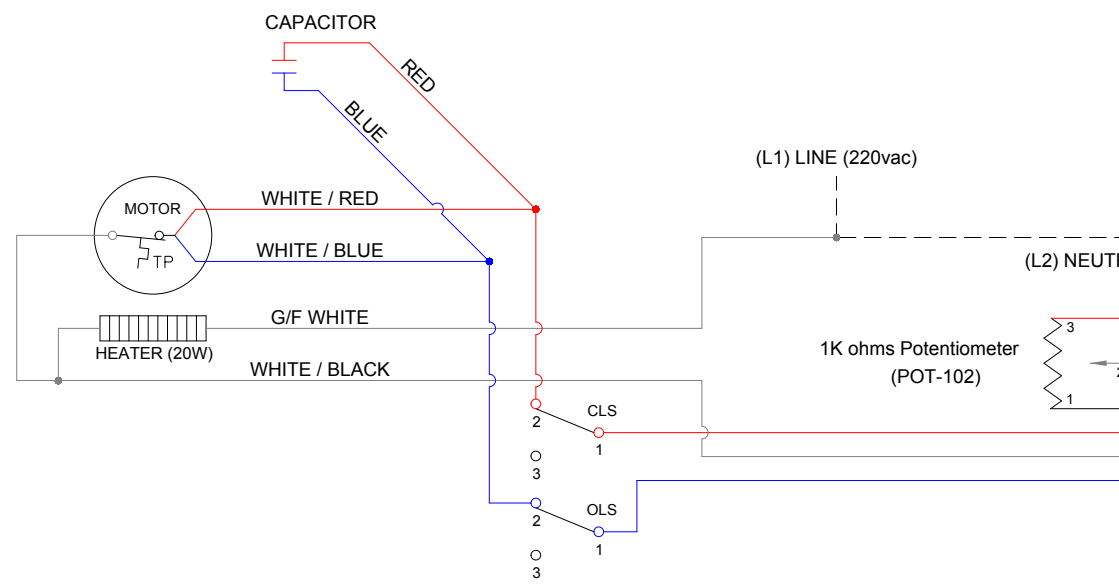
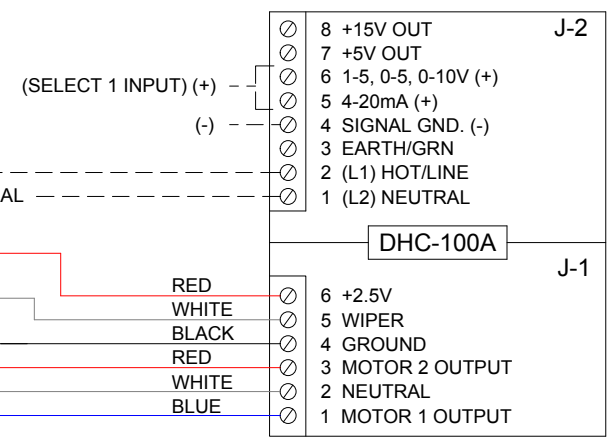
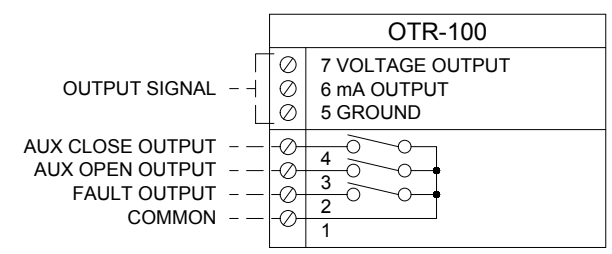
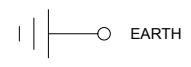
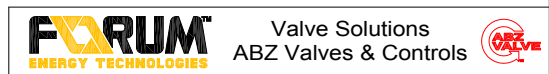


	CLOSE	OPEN
CLS 1-2		
CLS 1-3		
OLS 1-2		
OLS 1-3		

CLS: CLOSE LIMIT SWITCH (250VAC, 6A MAX)
 OLS: OPEN LIMIT SWITCH (250VAC, 6A MAX)
 TP: THERMAL PROTECTOR (250VAC, 6A MAX)



DENOTES CUSTOMER SUPPLIED ITEM -----
 ACTUATOR SHOWN IN MID POSITION.



Title: **Wiring Diagram**

Parts:
 ABZ 006 thru ABZ 009 Electric Actuator
 220 VAC Single Phase (Modulating Service)
 DHC-100A Digital High Resolution Controller
 OTR-100 Feedback Transmitter / Relay Output

DWG No.	Date	Drawn	Checked	Approved	Revision
WS0609-B2B-J-X	08-14-12	BC	TP	TH	0