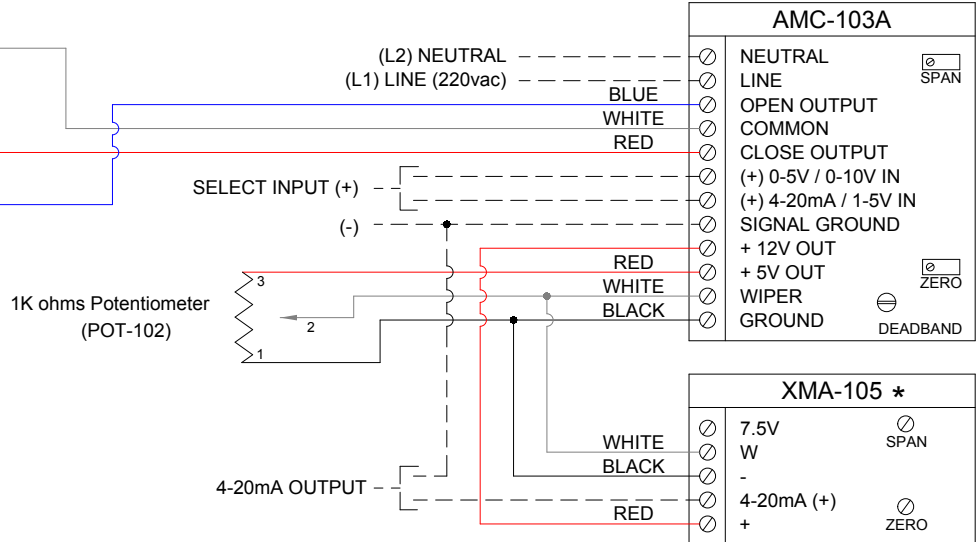


	CLOSE	OPEN
CLS 1-2		
CLS 1-3		
OLS 1-2		
OLS 1-3		

CLS: CLOSE LIMIT SWITCH (250VAC, 6A MAX)
 OLS: OPEN LIMIT SWITCH (250VAC, 6A MAX)
 TP: THERMAL PROTECTOR (250VAC, 6A MAX)



NOTES:

WHEN CONVERTING A DIRECT ACTING ACTUATOR TO A REVERSE ACTING ACTUATOR, TWO CHANGES IN WIRING MUST BE MADE ON SERVO BOARD:

- 1-REVERSE THE RED AND BLACK POTENTIOMETER WIRES CONNECTED ON THE SERVO BOARD.
- 2-REVERSE THE BLUE AND RED MOTOR OUTPUT WIRES CONNECTED ON THE SERVO BOARD.

NOTE: DO NOT REVERSE THE INPUT SIGNAL POLARITY. ALSO, MAKE SURE THAT BOTH WIRING CHANGES ARE MADE - IF ONLY ONE IS MADE, THE ACTUATOR WILL RUN TO EITHER FULL OPEN OR FULL CLOSE.

AFTER THE WIRING CHANGES HAVE BEEN MADE, REFER TO CALIBRATION FOR SETTING THE ZERO AND SPAN.

DENOTES CUSTOMER SUPPLIED ITEM -----

ACTUATOR SHOWN IN MID POSITION. INCREASING SIGNAL ROTATES COUNTER CLOCKWISE. FOR REVERSE ACTING (SEE NOTES).

* MAX LOAD RESISTANCE ON XMA-105 IS 300 OHMS

INPUT SIGNAL JUMPER CONFIGURATION		
INPUT SIGNAL RANGE	JP1	JP2
0-5V	■	■
0-10V	■	■
4-20mA	■	■
1-5V	■	■

FORUM ENERGY TECHNOLOGIES Valve Solutions
 ABZ Valves & Controls

Title: **Wiring Diagram**

Parts:
 ABZ 006 thru ABZ 009 Electric Actuator
 220 VAC Single Phase (Modulating Service)
 AMC-103A Servo Board
 XMA-105 Feedback Transmitter

DWG No.	Date	Drawn	Checked	Approved	Revision
WS0609-B2J-C-X	08-14-12	BC	TP	TH	0