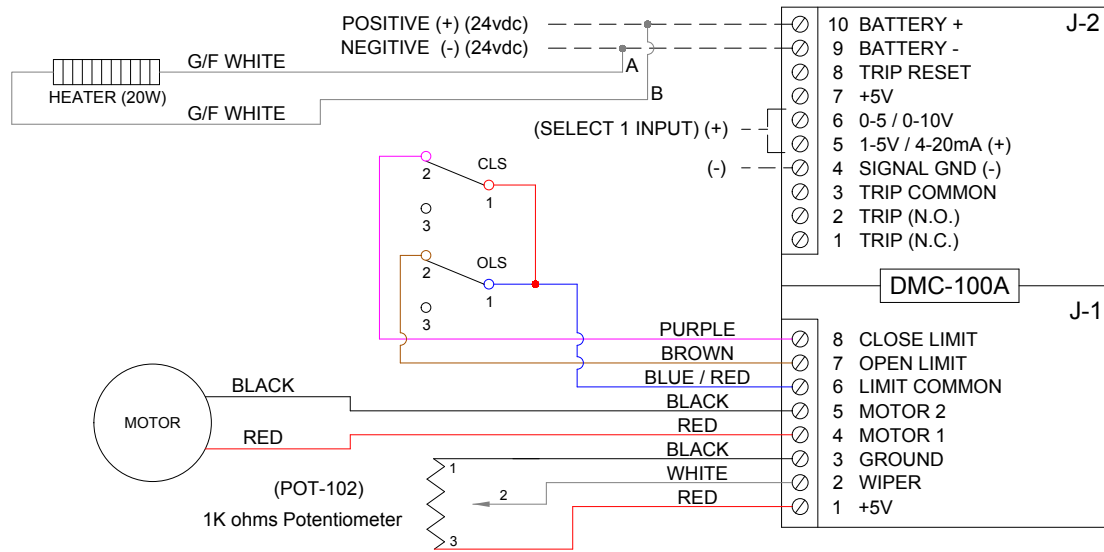
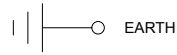


	CLOSE	OPEN
CLS 1-2		
CLS 1-3		
OLS 1-2		
OLS 1-3		

CLS: CLOSE LIMIT SWITCH (250VAC, 6A MAX)
 OLS: OPEN LIMIT SWITCH (250VAC, 6A MAX)



 DENOTES CUSTOMER SUPPLIED ITEM

ACTUATOR SHOWN IN MID POSITION.

NOTE:
 WHEN SYSTEM IS RUNNING ON BATTERY POWER
 DISCONNECT HEATER WIRED FROM JUNCTION POINTS
 A & B AND CONNECT TO SEPARATE 24 VDC/AC POWER
 SOURCE.

FORUM ENERGY TECHNOLOGIES Valve Solutions ABZ Valves & Controls

Title: **Wiring Diagram**

Parts:
 ABZ 006 thru ABZ 009 Electric Actuator
 24 VDC (Modulating Service)
 DMC-100A MOTOR CONTROLLER

DWG No.	Date	Drawn	Checked	Approved	Revision
WS0609-D2K-X	06-25-12	BC	TP	TH	0