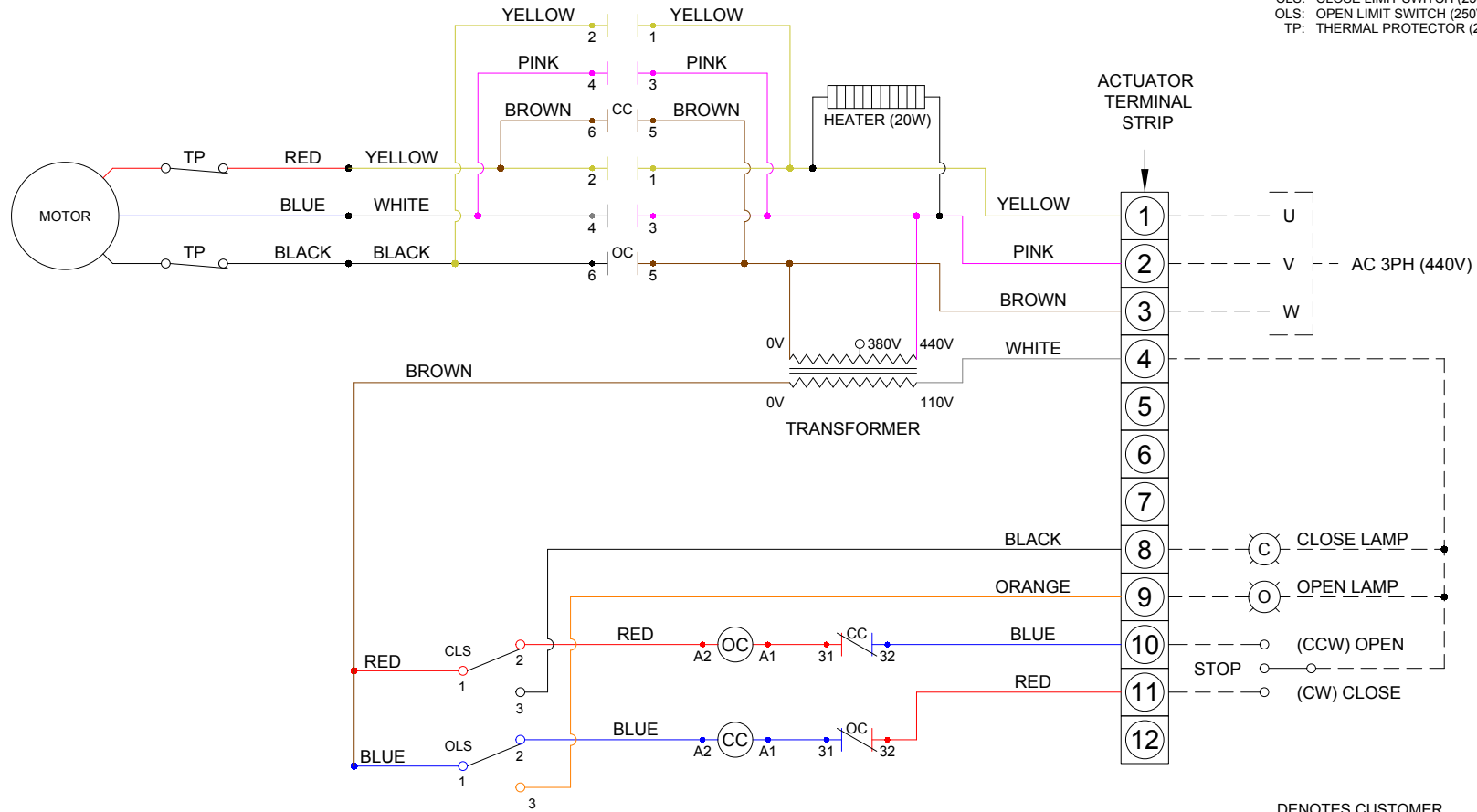


	CLOSE	OPEN
CLS 1-2		
CLS 1-3		
OLS 1-2		
OLS 1-3		

CLS: CLOSE LIMIT SWITCH (250VAC, 6A MAX)
 OLS: OPEN LIMIT SWITCH (250VAC, 6A MAX)
 TP: THERMAL PROTECTOR (250VAC, 15A MAX)



DENOTES CUSTOMER SUPPLIED ITEM -----
 ACTUATOR SHOWN IN MID POSITION.

FORUM ENERGY TECHNOLOGIES Valve Solutions
 ABZ Valves & Controls

Title: **Wiring Diagram**

Parts:
 ABZ 006 thru ABZ 009 Electric Actuator
 440 VAC Three Phase
 (ON / OFF)
 Interl Motor Starter (IMS)

DWG No.	Date	Drawn	Checked	Approved	Revision
WS0609-F1E-X	10-25-12	BC	TP	TH	0