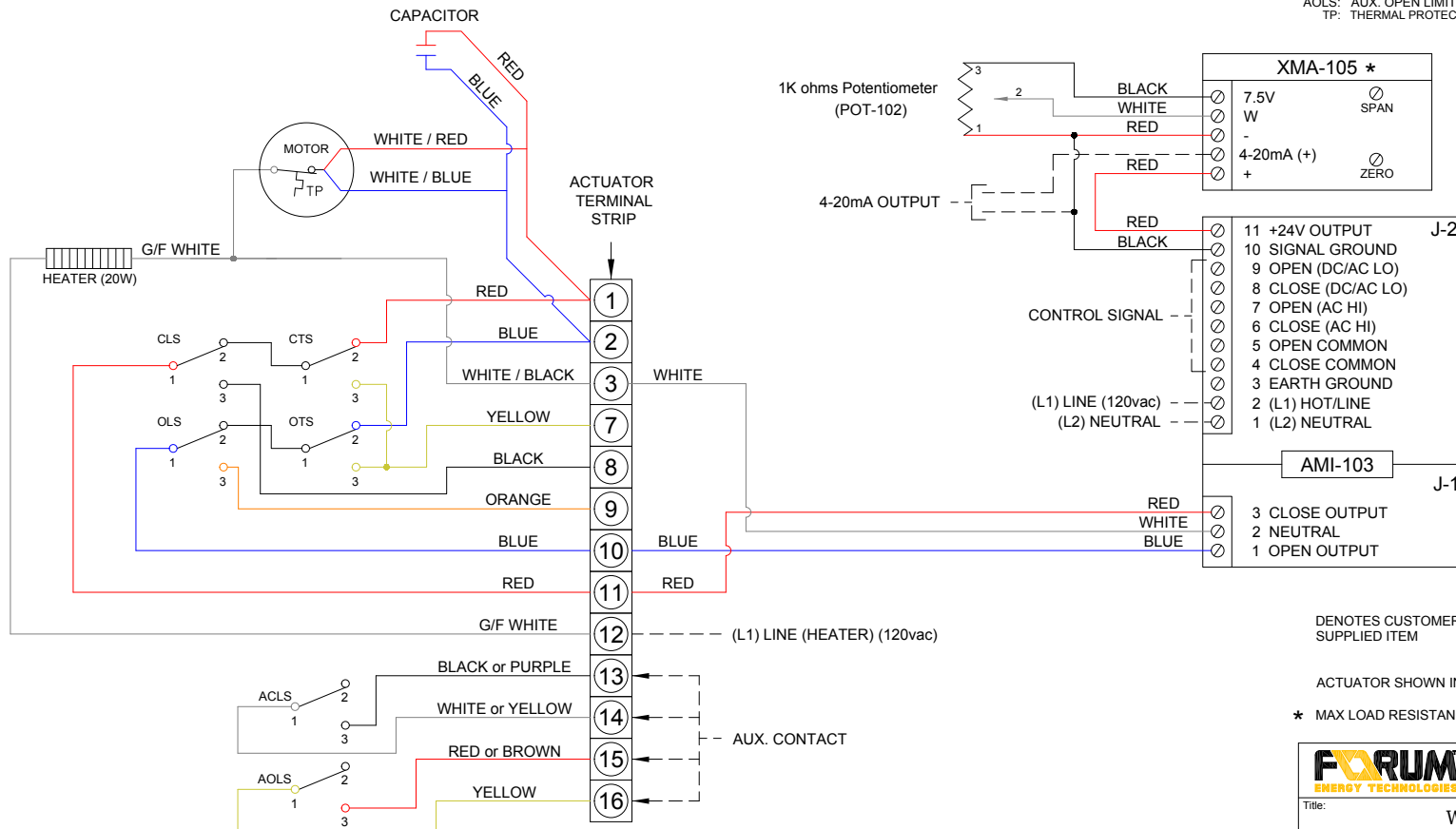


	CLOSE	OPEN
CLS 1-2	-----	-----
CLS 1-3	-----	-----
OLS 1-2	-----	-----
OLS 1-3	-----	-----
CLS 1-2	-----	-----
CLS 1-3	-----	-----
OLS 1-2	-----	-----
OLS 1-3	-----	-----
CTS 1-3	CLOSING TORQUE SWITCH INTERRUPTS CONTROLS IF MECHANICAL OVERLOAD OCCURS DURING CLOSING CYCLE	
OTS 1-3	OPENING TORQUE SWITCH INTERRUPTS CONTROLS IF MECHANICAL OVERLOAD OCCURS DURING OPENING CYCLE	

CLS: CLOSE LIMIT SWITCH (250VAC, 6A MAX)
 OLS: OPEN LIMIT SWITCH (250VAC, 6A MAX)
 CTS: CLOSE TORQUE SWITCH (250VAC, 6A MAX)
 OTS: OPEN TORQUE SWITCH (250VAC, 6A MAX)
 ACLS: AUX. CLOSE LIMIT SWITCH (250VAC, 6A MAX)
 AOLS: AUX. OPEN LIMIT SWITCH (250VAC, 6A MAX)
 TP: THERMAL PROTECTOR (250VAC, 6A MAX)



----- DENOTES CUSTOMER SUPPLIED ITEM

ACTUATOR SHOWN IN MID POSITION.

* MAX LOAD RESISTANCE ON XMA-105 IS 300 OHMS

FORUM ENERGY TECHNOLOGIES Valve Solutions
ABZ Valves & Controls

Title: **Wiring Diagram**

Parts:
 ABZ 150 thru ABZ 250 Electric Actuator
 120 VAC Single Phase (ON/OFF)
 AMI-103 Motor Interface
 Auxiliary Limit Switches
 XMA-105 Feedback Transmitter

DWG No.	Date	Drawn	Checked	Approved	Revision
WS1525-A1B-A1C-X	01-10-12	BC	TP	TH	0